

EasyStand[®] StrapStand

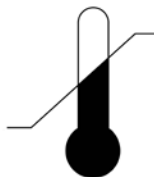


Owner's Manual

SYMBOL LEGEND



CAUTION/ATTENTION



**ENVIRONMENTAL
CONDITIONS**



PINCHPOINT



DATE OF MANUFACTURE



SEE INSTRUCTIONS FOR USE

SN

SERIAL NUMBER

R_xonly



Please be environmentally responsible and recycle this product through your recycling facility at its end of life.

Afin de préserver l'environnement, veuillez confier ce produit à votre centre de recyclage à la fin de sa durée de vie.

Nachdem dieses Produkt ausgedient hat, entsorgen Sie es bitte auf umweltfreundliche Weise, indem Sie es zu der entsprechenden Recyclingstelle bringen.

Wees a.u.b. milieubewust en recycleer dit product via uw recycleerder na het verstrijken van de levensduur.

Sea responsable con respecto al medio ambiente y recicle este producto al finalizar su vida útil en el lugar de reciclaje correspondiente.

Siate responsabili verso l'ambiente e riciclate questo prodotto, al termine della sua vita d'uso, presso la vostra sede di riciclaggio.

Kierrätä tämä tuote sen käyttöiän lopussa ympäristövastuullisella tavalla paikallisella kierrätyslaitoksella.

Var miljömedveten och återvinn denna produkt efter dess användning.

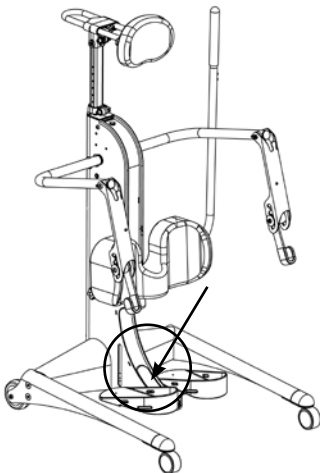
Vi ber deg ta hensyn til miljøet og resyklere dette produktet ved hjelp av de rette resyklingsfasilitetene når produktet ikke lenger kan brukes.

Vis venligst hensyn til miljøet ved at levere produktet til det nærmeste genbrugsanlæg, når det ikke længere fungerer.

Por favor, assumo responsabilidade ambiental, reciclando este produto em suas instalações de reciclagem no final de sua vida útil.

Table of Contents

Introduction	1
Safety Precautions	2
Assembly	3
Swing-Out Leg Assembly	7
Adjusting the StrapStand	9
Using the StrapStand	10
Options	11
Options & Parts Detail	15
Standing	17
Maintenance	18
Specifications	19
Limited Warranty20



Note: The serial number is located underneath the rubber cover, inside the base.

Date Purchased _____ Serial # _____

**Videos on assembly & fitting can be viewed at easystand.com/videos*

Introduction

Congratulations on the purchase of an EasyStand standing frame! We at Altimate Medical have designed the EasyStand with comfort and happiness in mind.

EasyStand Description

The EasyStand line of products is intended for individuals who are able to transfer independently or with assistance from a caregiver and/or lifting device. It is a useful tool for rehabilitation, home, school, and work use. EasyStand standing frames support the user from sitting to the standing position. Various options such as support, choice of manual or Pow'r Up Lift may be added to facilitate individual needs.

Indications for Use

The EasyStand StrapStand product is intended to assist individuals who have difficulty rising from a seated position to a standing position and is indicated for individuals weighing up to 350 lbs.

This manual is an integral part of the standing system and should be read completely and thoroughly by anyone operating the unit. This will ensure the EasyStand is assembled properly and used in the most beneficial manner.

Altimate Medical recommends that an attendant be present when the EasyStand is being used. Should any problem arise that cannot be solved by reading this manual, please contact a local supplier or call Altimate Medical, Inc., at 800-342-8968 or 507-697-6393.

It is necessary to inspect the EasyStand StrapStand at least weekly to ensure it is in safe operating condition. EasyStand adjustments that are listed in the product owner's manual can be made by the operator by following the instructions for use. After an adjustment is made, inspect the EasyStand to ensure all hardware and adjustable components are properly secured per the instructions for use. Replacement of worn parts, major adjustments, or any other important corrections should be handled by an authorized supplier or service center. Only Altimate Medical, Inc., approved replacement parts should be used to ensure safety and performance.

Do not use the EasyStand without consulting a physician. Failure to consult a qualified physician prior to using the EasyStand could lead to severe medical problems. We recommend a good standing program be established and supervised by a qualified physician or physical therapist. Rx only

Join the Standing Community!

Our goal is simple - to empower people with disabilities to stand up for their health. Connect, share, and learn from other people with disabilities, special needs parents, clinical professionals, and the experts in standing on one of our social networks. By keeping your standing program "top of mind" you will have the greatest chance of maintaining a standing routine that maximizes all the benefits of standing!

Read, share, and comment on the EasyStand Blog at blog.easystand.com

Find EasyStand on these social networking sites:





Safety Precautions

- If a user does not meet these specifications and has not been properly fitted by a qualified therapist or physician, Altimate Medical, Inc., does not recommend using the EasyStand.

StrapStand - is designed to accommodate most individuals from 5'0"-6'5" (152-195 cm) and up to 350 lbs. (159 kg)
For more detailed specifications visit our website easystand.com

- Altimate Medical, Inc., recommends consulting with a therapist or physician prior to starting a standing program.
- Check the EasyStand periodically ensure that all nuts, bolts and adjustable parts are tightened securely.
- Never make adjustments to the EasyStand while a user is in the standing position.
- Never reposition the foot plates while a user is in the standing position. Consult with a therapist or physician for proper foot placement and angle.
- It is necessary to inspect the EasyStand StrapStand at least weekly to ensure it is in safe operating condition. Pay particular attention for loose hardware. Replacement of worn parts, major adjustments, or any other important corrections should be handled by an authorized dealer or service center. Only Altimate Medical, Inc., approved replacement parts should be used to ensure safety and performance.
- If the EasyStand is being used in the home environment, please inspect the unit prior to each use to ensure there is no damage or unexpected wear to the EasyStand that may have been caused unintentionally by pets, pests or children.
- If the unit was exposed to temperatures of less than 50°F (10°C), the unit must warm to room temperature before use.
- **Operating Conditions:** Temperature: 41°F (5°C) -104°F (40°C), Relative humidity: 20% - 90% at 86°F (30°C), Atmospheric Pressure: 700 to 1060hPa.
- **Storage/Transport Conditions:** Temperature: 14°F (-10°C) -122°F (50°C), Relative humidity: 20% - 90% at 86°F (30°C), Atmospheric Pressure: 700 to 1060hPa.
- The EasyStand can be used at a maximum altitude of 3,050 meters (10,000 feet).
- The expected service life of an EasyStand is considered 5 years under normal use conditions. Note: This may vary based upon use.
- Use body weight to lower the seat. Do not use excessive force.
- The EasyStand is for indoor use on level surfaces only.
- Violently thrusting in the EasyStand may cause it to tip.
- Always put the rear casters and/or wheels in the locked position before transferring into the EasyStand. Use these locks to keep the EasyStand stationary.
- Please contact Altimate Medical, Inc., for relevant clinical data and literature.
- Altimate Medical products are specifically designed to be used with Altimate Medical accessories and options. Unless otherwise noted, accessories and options from other manufacturers have not been tested by Altimate Medical and are not recommended for use with Altimate Medical products.
- Product Modifications made without express written consent (including, but not limited to, modification through the use of unauthorized parts or attachments) are not recommended and will void the product warranty.

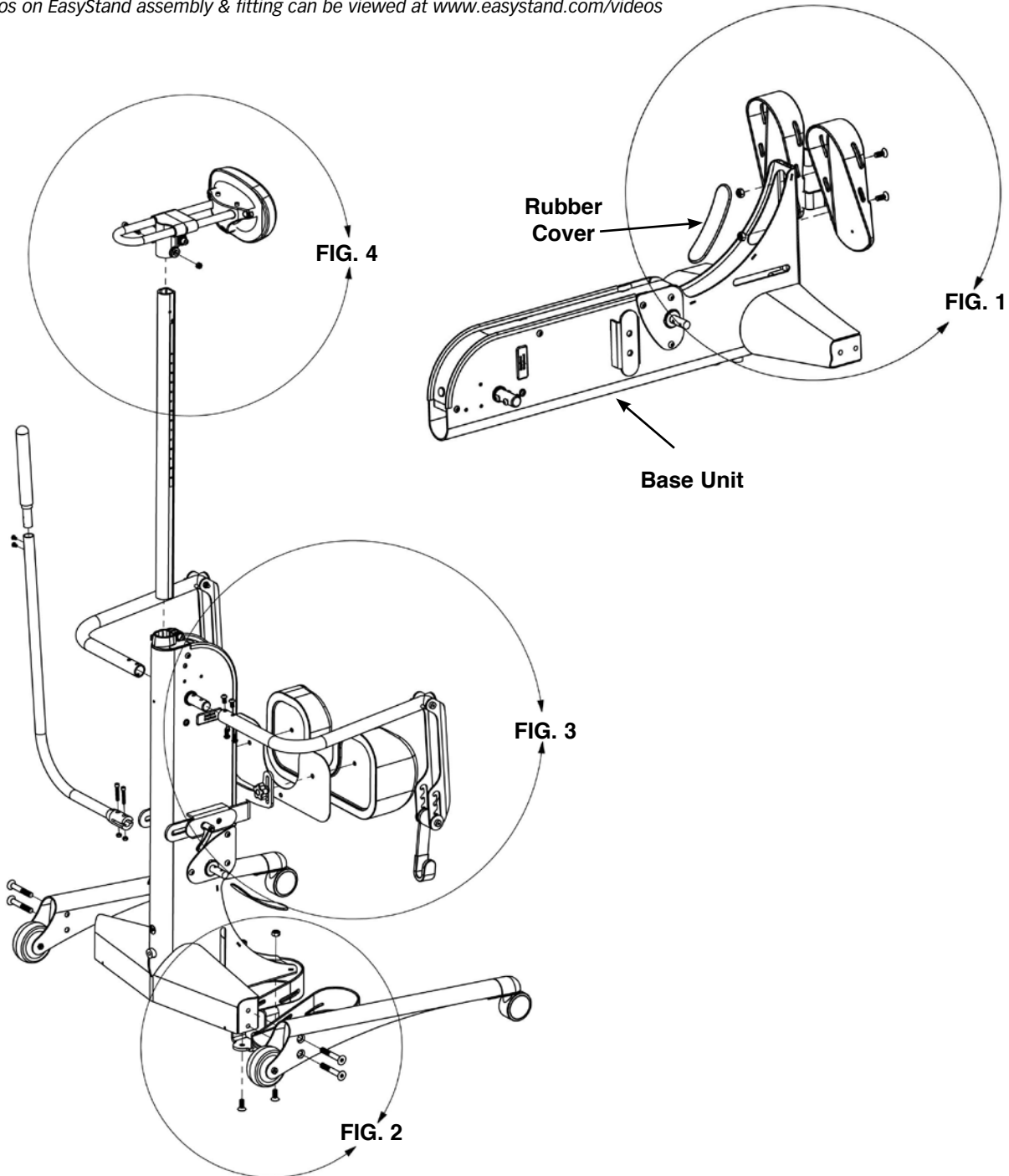
 **Caution:** This equipment is designed to accommodate a range of users; therefore the unit has various adjustment slots and holes. Avoid placing fingers or other body parts in any of these areas.

 **Caution:** While in use this equipment has various moving parts, familiarize yourself with the unit and avoid placing hands or fingers near any of these areas.

 **Caution:** Advise bystanders to keep clear of the unit while in use.

EasyStand® StrapStand Assembly

Videos on EasyStand assembly & fitting can be viewed at www.easystand.com/videos



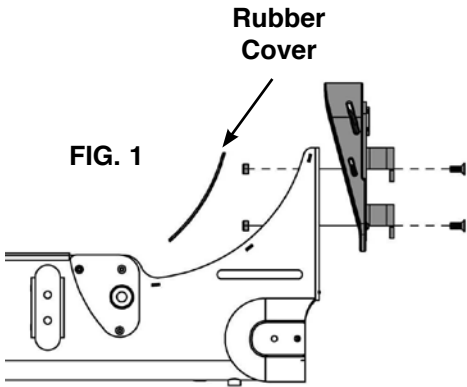


FIG. 1- Place the base unit flat, as shown. Remove the rubber cover on the lower part of the base to expose the inside of the unit and remove bolts from the foot plate bracket. Place foot plate onto the base and insert bolts, tighten nuts securely. Flip the base unit back upright.

For foot plate adjustments, see p. 9

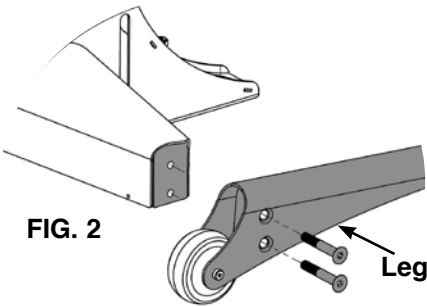


FIG. 2- Using the bolts provided, place the legs on each side of the base and tighten bolts securely.

For Swing-Out Leg assembly, see p. 7

FIG. 3- Remove bolts from the arms, place the arms onto the lifting rod on the base and tighten securely.

FIG. 4- Insert the tray post into the front column with the mounting holes toward the top. Place the tray assembly onto the tray post, insert nut into slot and bolt into hole, tighten securely. The tray clamp on the front frame may need adjustment to fit the tray post into the frame.

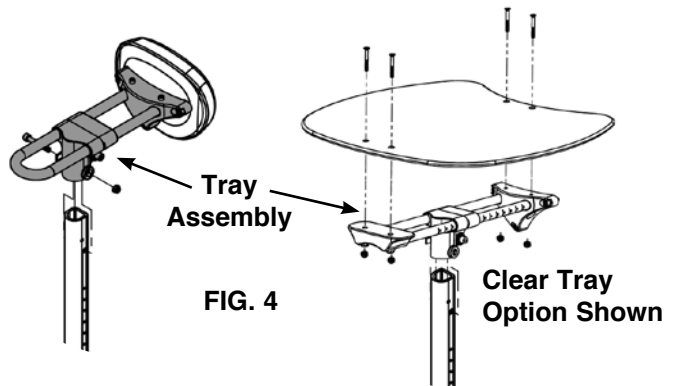
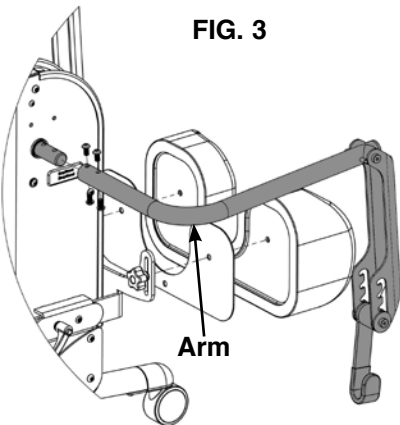
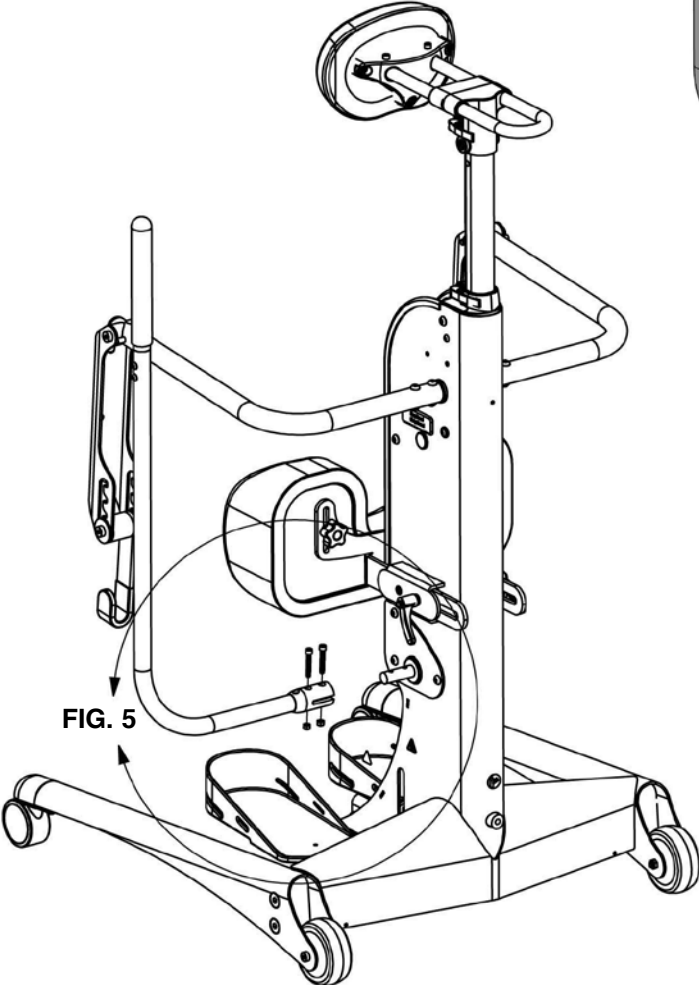
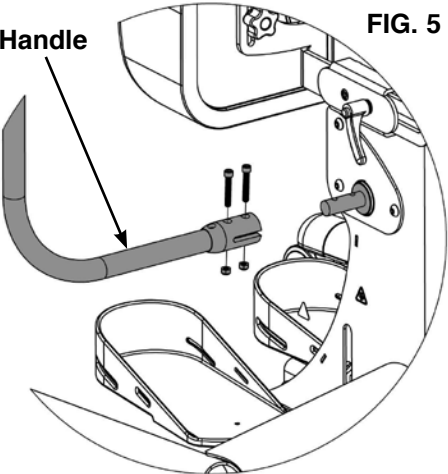


FIG. 5- Attach the pump handle to the pump on the base with bolts and nuts, tighten securely.



Pump Handle

FIG. 5



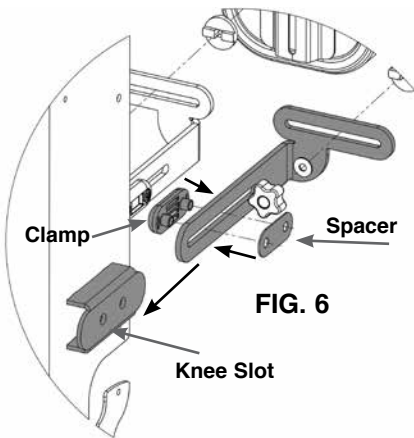


FIG. 6

FIG. 6- Remove all hardware from the knee bracket. Make sure the 2 nuts are in the back side of the clamp, place the clamp into the knee slot on the unit. Place the knee bracket and the spacer into the slot making sure the spacer is between the knee bracket and knee slot, lining up with the clamp.

Note the curve of the knee bracket is up.

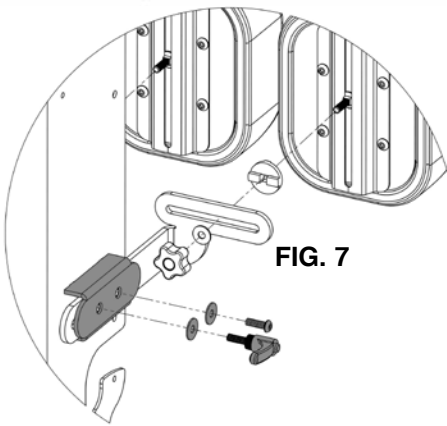


FIG. 7

FIG. 7- Place washer onto the ratchet handle insert handle through the knee bracket, spacer and into the clamp.

Place washer onto the bolt, insert bolt through the knee bracket, spacer and into the clamp. Tighten snug, but allow knee assembly to slide freely.

FIG. 8- For standard knee pads, remove the three bolts from the knee pad, making sure the plastic insert stays in place. Place the knee pad onto the bracket and insert top two bolts before inserting the middle bolt. Tighten securely. For independent knee pads, place the knee pads onto the knee pad brackets, tighten knobs securely. The narrow end of the slotted washer for the knee pads will be inserted into the bracket.

REFERENCE DRAWING ON P. 11.

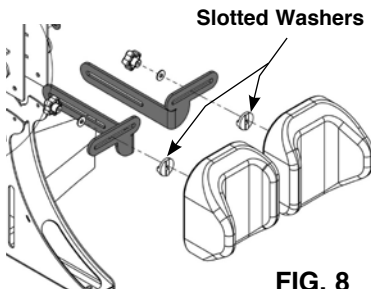


FIG. 8

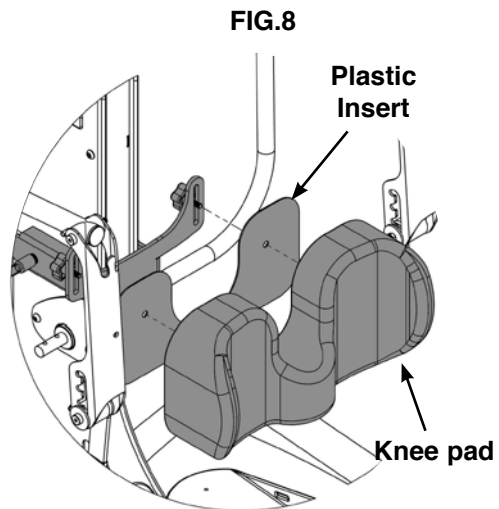
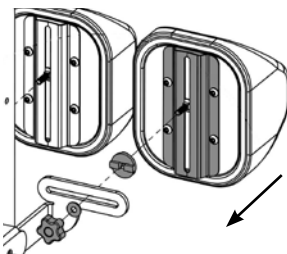
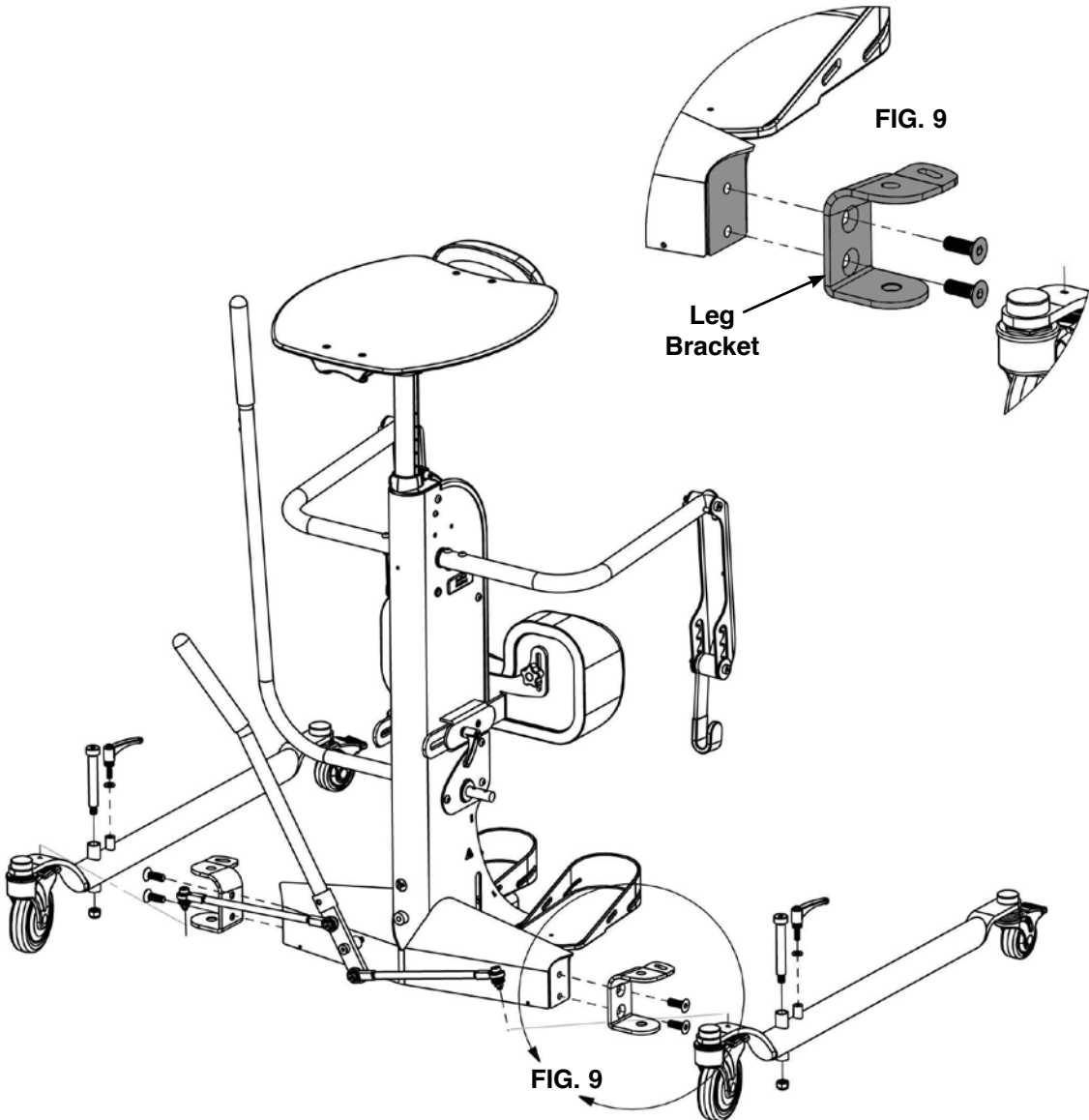


FIG.8

Swing-Out Leg Assembly

FIG. 9- Place the leg bracket onto the base with the single hole towards the bottom and the slotted hole toward the back. Apply provided loctite to bolts before inserting and tightening securely.



Ratchet Handle

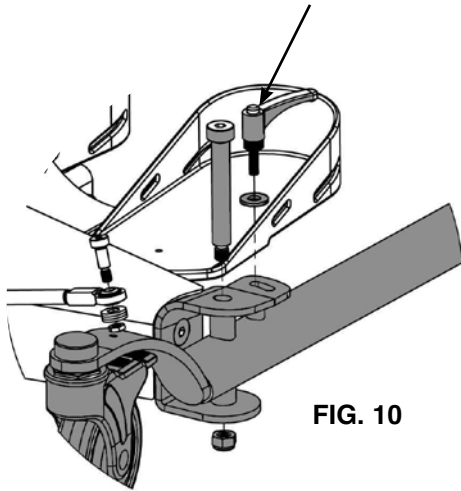


FIG. 10

FIG. 10- Place the leg inside the leg bracket. Insert the ratchet handle into the slotted hole and tighten securely. Insert the bolt into the hole in the bracket and through the leg. Attach nut and tighten securely.

FIG. 11- Assemble handle assembly as show, place the handle assembly onto the caster brackets as shown. Make sure the washers are placed between the caster bracket and the handle arm. Place nut onto the bolt and tighten securely.

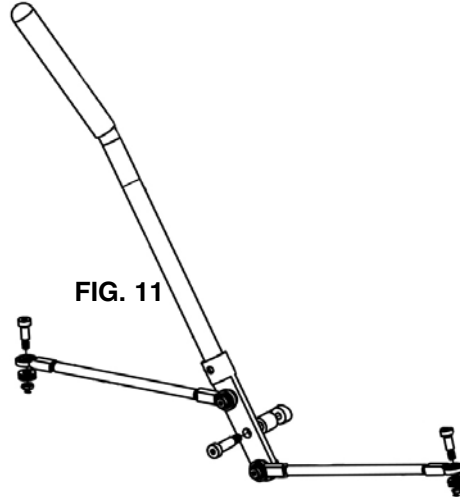


FIG. 11

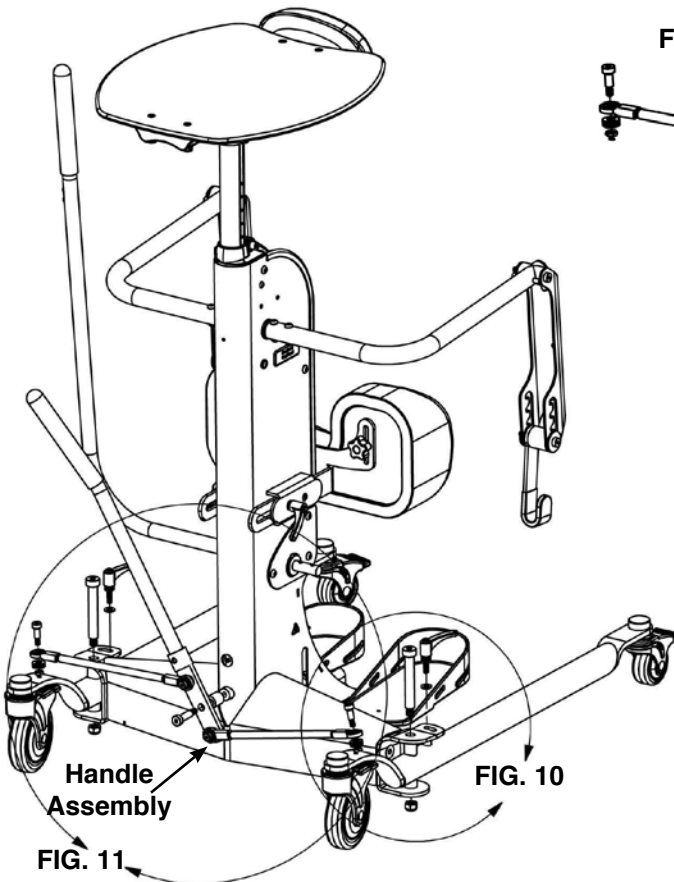
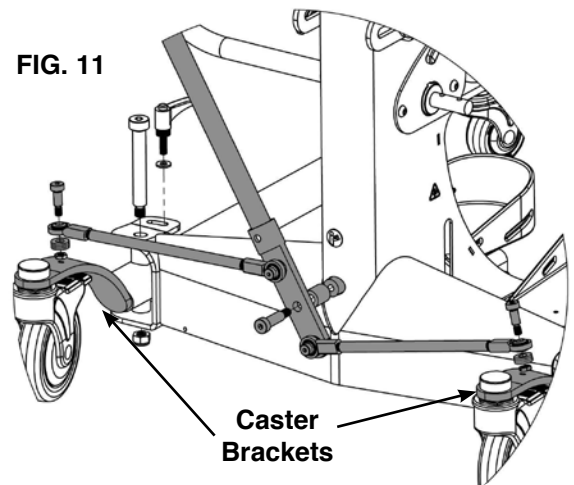


FIG. 11



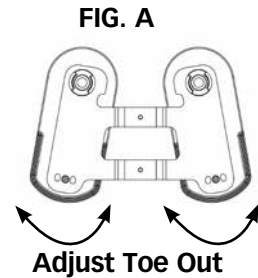
Caster Brackets

Adjusting the EasyStand[®] StrapStand

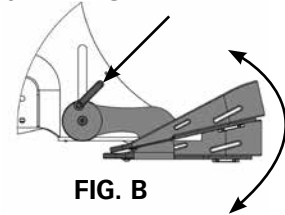
Foot plates

Caution: Never reposition the foot plates while a user is in the standing position.

FIG. A- To adjust the abduction (toe out) of foot plates, remove the bolt under the front edge of the foot plate with a hex wrench. Lift up and turn the foot plate to desired position. Make sure the foot plate is positioned in one of the slots (3 positions for standard foot plate, 4 positions for optional, multi-adjustable foot plates) and re-secure with bolt.



Adjust Height, Plantar/Dorsi



Multi-Adjustable Foot plates Option

FIG. B- Loosen the clamp connecting the foot bracket to the base to adjust the foot plate height and plantar/dorsi.

Position the height of the foot plate so the user's knee is centered in the knee pad. Tighten the clamp securely.

Caution: Avoid placing fingers in the adjustment slots.

Knee pad

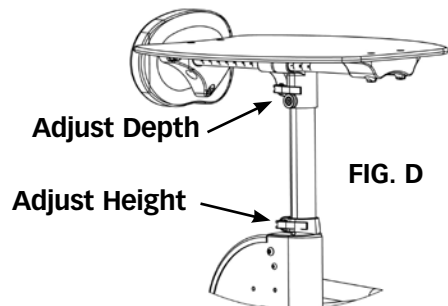
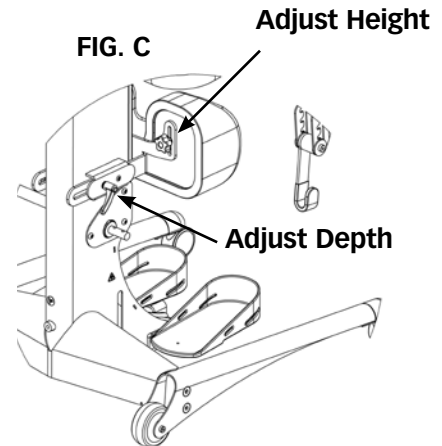
FIG. C- To adjust the knee pad depth, loosen the knob and move into position. Tighten knob once desired position is achieved.

Table

FIG. D- To adjust the height of the chest pad or optional tray, loosen the clamp located just above the base. Lift the tray to the desired height and tighten the clamp.

To adjust the depth of the chest pad or optional tray, loosen the clamp located just below the tray. Move the front pad to the desired position and tighten the clamp.

Caution: While lowering the tray height, keep hands clear of the area underneath the tray.



Using the EasyStand[®] StrapStand

Consult a therapist or doctor before starting any standing program.



1. To use the StrapStand, position the wheelchair as close as possible to the knee pad. Casters on the StrapStand should be locked.



2. Position feet in the foot plates. Adjust knee pad height so knees are centered in the knee pad. With the wheelchair locked, slide forward on the seat so that the knees make contact with the knee pad.



3. Hook the strap to one of the lifting arms and bring the other side around the body. Then hook the strap to the other lifting arm.



4. After attaching the strap to the lifting arms, adjust the hook position. The strap can be adjusted to accommodate different size individuals. This will vary depending on the strap size and the girth of the individual.



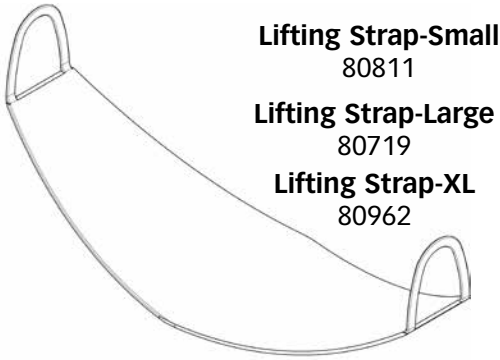
5. Adjust the placement of the strap under the buttocks so that the top edge of the strap is slightly under the belt line. Slide it into place as shown.



6. Partially lift the user by pumping the actuator handle towards the user to tension the strap. At this time and if necessary, reposition the strap. Continue until the user is in the standing position.

Caution: Never adjust the strap while in the standing position.

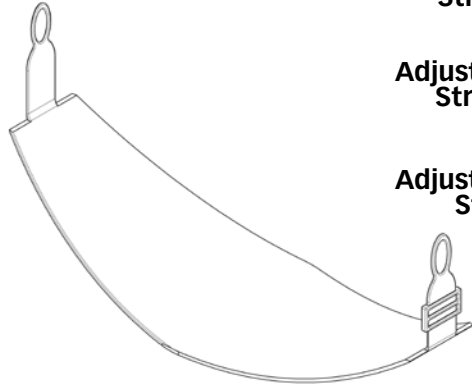
Option Assembly



Lifting Strap-Small
80811

Lifting Strap-Large
80719

Lifting Strap-XL
80962



Adjustable Lifting Strap-Small
80882

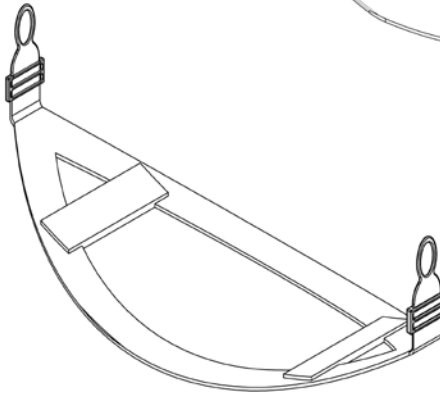
Adjustable Lifting Strap-Large
80881

Adjustable Lifting Strap-XL
80963

Adjustable Sling Strap-Small
82205

Adjustable Sling Strap-Large
82206

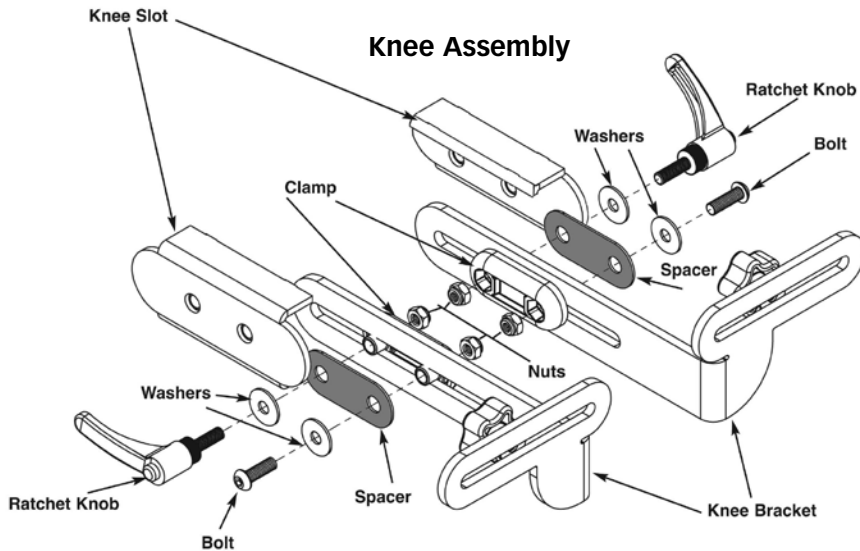
Adjustable Sling Strap-XL
82207



Adjustable Lifting Harness-Small
82280

Adjustable Lifting Harness-Large
82281

Adjustable Lifting Harness-XL
82282



Clear Tray (shown)

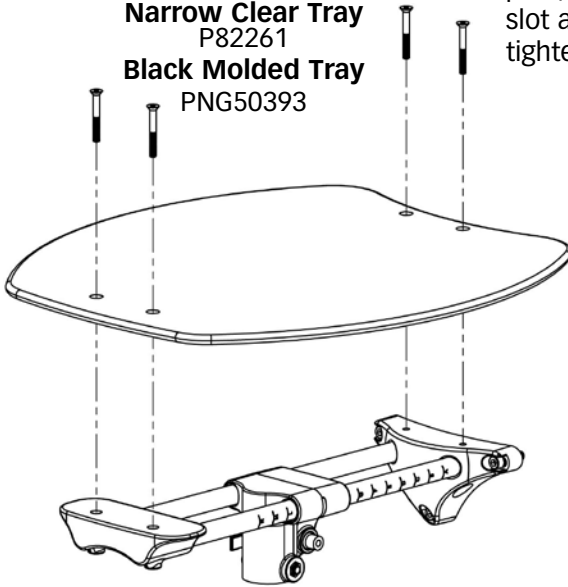
PNG50394

Narrow Clear Tray

P82261

Black Molded Tray

PNG50393



Place tray onto the tray post, insert nut into slot and bolt into hole, tighten securely.

Remove bolts from chest pad and place onto tray. Tighten bolts securely.

Clear Angle Adjustable Tray (shown)

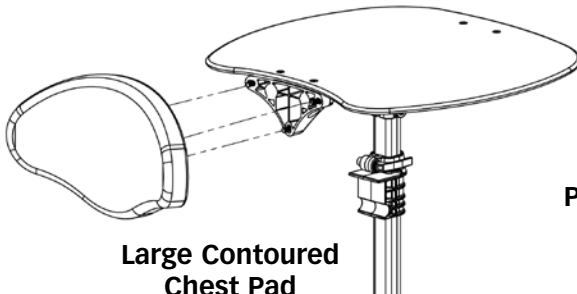
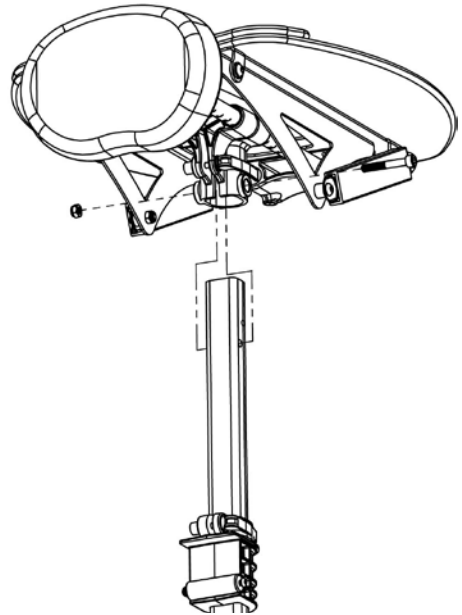
PNG50398

Narrow Clear Angle Adjustable Tray

P82262

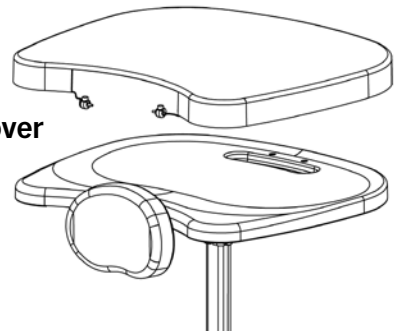
Black Molded Adjustable Tray

PNG50397



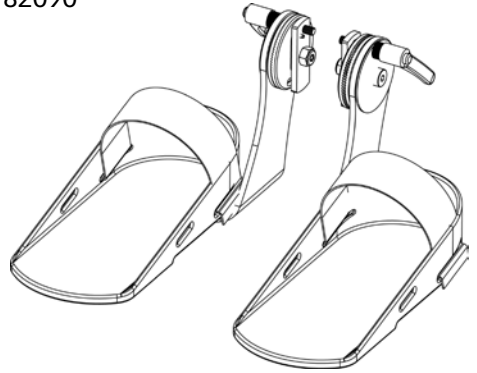
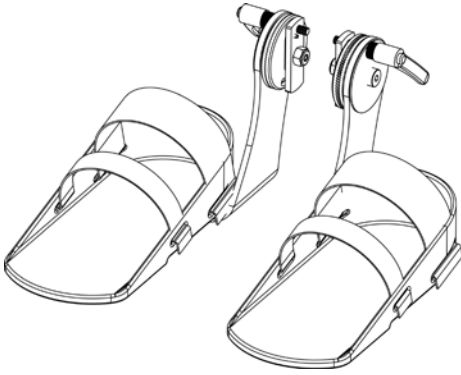
Large Contoured Chest Pad
PNG30000

Padded Tray Cover
PNG30295



Multi-Adjustable Foot plates

P82090

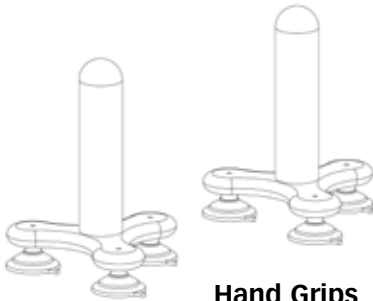


Secure Foot Straps

PNG30031

Foot Straps

PNG30030

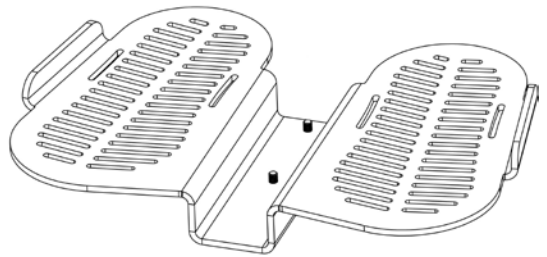


Hand Grips

PNG50042

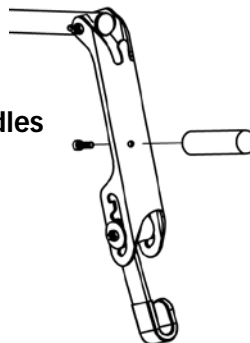
XL Foot plate

P82144

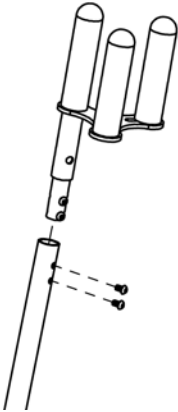


Grab Handles

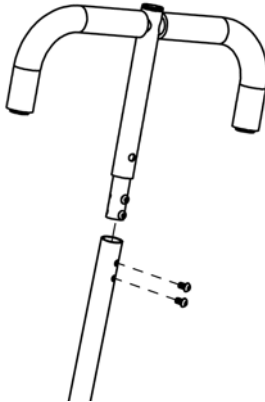
P82062



Quad Grip Handle Extension
PNG50044



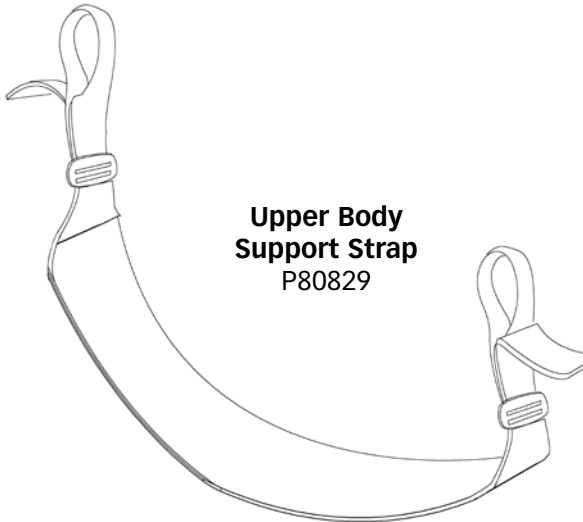
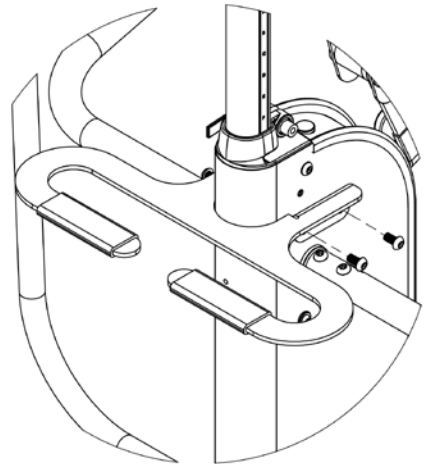
T-Style Handle Extension
PNG50070



Removable Actuator Handle
P82264

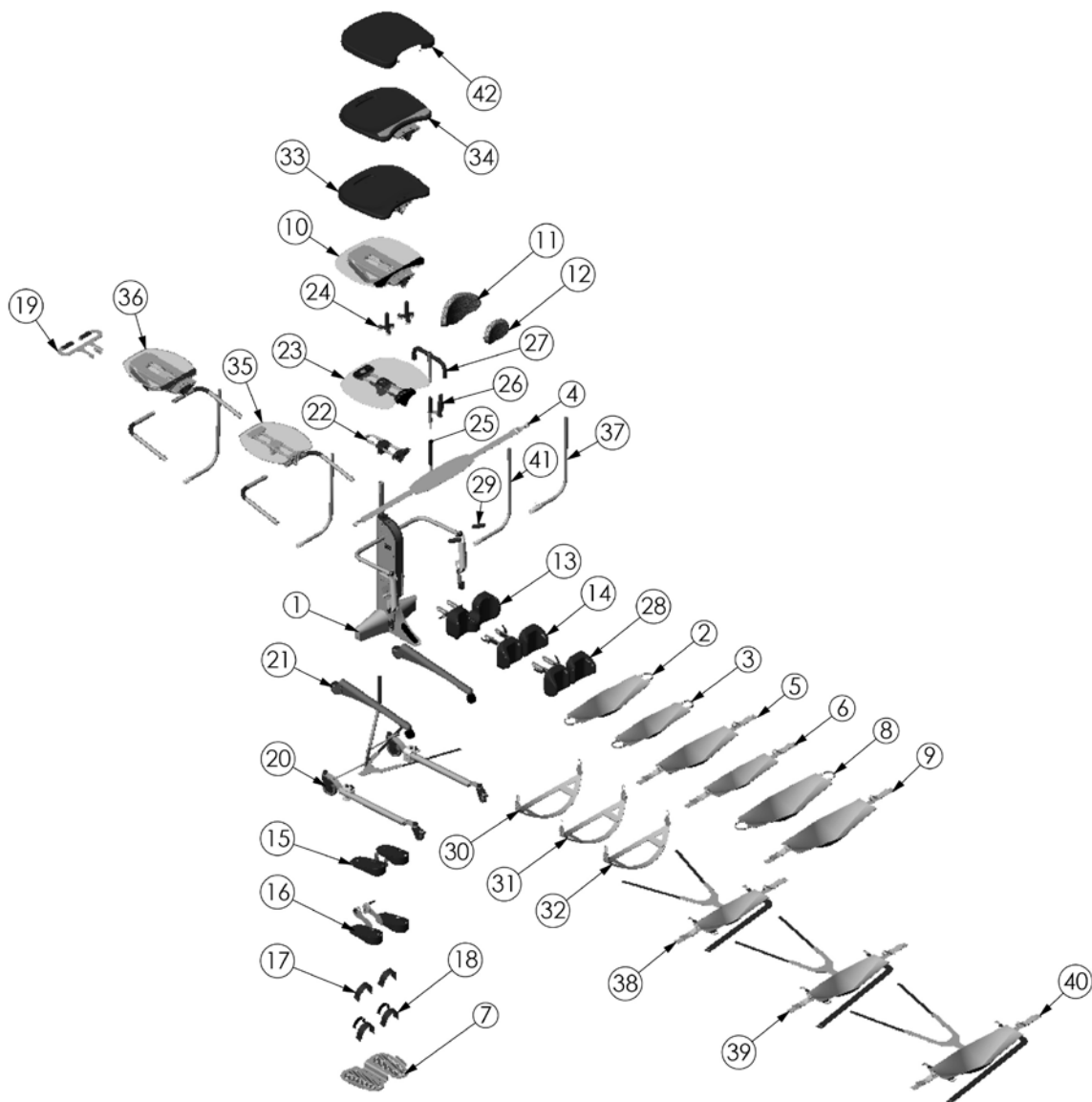


Transport Handle
P82160



Upper Body Support Strap
P80829


StrapStand Options & Parts Detail



ITEM NO.	PART NO.	REV	QTY.	NAME
1	2000	J	1	2000 STRAPSTAND STANDARD
2	80719	A	1	LIFTING STRAP LARGE 2000
3	80811	A	1	LIFTING STRAP SMALL 2000
4	80829	000	1	STRAP BACK LIFTING
5	80881	A	1	ADJ LIFTING STRAP LARGE 2000
6	80882	A	1	ADJ LIFTING STRAP SMALL 2000
7	82144	B	1	FOOT PLATE OVERSIZED STRAPSTAND
8	80962	A	1	LIFTING STRAP EXTRA LARGE 2000
9	80963	A	1	ADJ LIFTING STRAP EXTRA LARGE 2000
10	NG50366	D	1	ASMBLY TABLE TILT CLEAR
11	NG30000	A	1	PAD FRONT EXTRA SUPPORT
12	NG30001	A	1	PAD CHEST STANDARD
13	82202	C	1	STANDARD KNEE STRAPSTAND
14	82101	D	1	ASMBLY KNEE INDEPENDENT STRAPSTAND
15	82091	A	1	STRAPSTAND STANDARD FOOT ASSEMBLY
16	82090	B	1	FOOT ASMBLY STRAPSTAND
17	ng30030	000	1	STRAPS FOOT OPTION
18	NG30031	A	1	STRAPS SECURE FOOT OPTION
19	82160	000	1	GRAB HANDLE STRAPSTAND
20	82188	B	1	SWING OUT LEG ASSEMBLY
21	82186	000	1	STANDARD LEG OPTION
22	NG50295	C	1	ASMBLY NO-TABLE OPTION
23	NG50248	B	1	TABLE EVOLV ACRYLIC
24	NG50042	000	1	SUPPORT GRIP OPTION
25	NG50260	000	1	HANDLE STANDARD TOP
26	NG50044	A	1	QUAD GRIP OPTION
27	NG50070	000	1	ACTUATOR HANDLE EXTENSION EVOLV LG
28	82189	D	1	ASMBLY KNEE ROHO IND STRAPSTAND
29	82062	000	1	STRAPSTAND GRAB HANDLES
30	82205	000	1	SLING SEAT STRAP SMALL
31	82206	000	1	SLING SEAT STRAP LARGE
32	82207	000	1	SLING SEAT STRAP EXTRA LARGE
33	NG50247	C	1	TABLE EVOLV STANDARD
34	NG50368	H	1	ASMBLY TABLE STANDARD TILT
35	82261	A	1	NARROW ARM/PUMP HANDLE/TABLE OPTION
36	82262	A	1	NARROW ARM/PUMP HANDLE/TILT TABLE OPTION
37	82264	A	1	REMOVEABLE PUMP HANDLE STRAPSTAND
38	82280	000	1	STRAP ADJ LIFTING HARNESS SM
39	82281	000	1	STRAP ADJ LIFTING HARNESS LG
40	82282	000	1	STRAP ADJ LIFTING HARNESS XL
41	82286	000	1	PUMP HANDLE STRAPSTAND
42	NG30295	000	1	PADDED TRAY COVER

Standing

To Stand

 **Caution:** Please consult with a physician or therapist before starting a standing program.

To stand, position the lifting strap behind the hips and attach it to the lifting arms. After positioning feet and knees, pump the manual actuator handle to lift user from a wheelchair to the standing position. The wheelchair should remain in position and available so the user can return to the seated position.

 **Caution:** Never make adjustments to the EasyStand while a user is in the standing position.


To Return to the Seated Position

Push the pump handle away from the user until the desired position had been reached. The strap will slowly lower until the handle is released. If experiencing difficulty lowering the strap, try applying less or more pressure to the pump handle. If the unit is in the standing position and unoccupied, apply moderate pressure to the strap. Do not use excessive force.

Contraindications

Standing/weight bearing may not be an option for the following reasons:

- If the user has severe contractures or range of motion issues
- If the user has severe osteoporosis or brittle bone disease
- If the user has postural orthostatic hypotension
- If the user has dislocated joints

 **Caution:** Consumers considering a standing program should consult with a qualified physician and medical team to determine what indications or contraindications exist. Clinicians must use best clinical judgment to evaluate the user's needs.

Implementing a standing program must be determined on an individual basis by the user's team (Physician, Physical or Occupational Therapist, Rehab Technology Professional/Supplier and the consumer). Consider all indications and contraindications for each client individually to determine if standing/weight bearing is appropriate.

Maintenance

Cleaning/Disinfecting

- Clean the EasyStand StrapStand with a mild, non-abrasive disinfectant or soap and water.
- Check your EasyStand periodically to make sure all nuts, bolts and adjustable parts are tightened securely. Failure to do so could result in parts falling off, which may cause a choking hazard for children.
- Do not use bleach or any other bleach based cleaners on EasyStand standing frames.
- Disinfecting wipes are safe to use on metal and non-porous surfaces.
- Use a damp sponge with mild soap or a mild, non-abrasive disinfectant.
- Spot clean Neoprene with mild soap and water.
- Neoprene covers may be removed and hand washed with water and air dried. Always use care when removing and replacing the covers.

Urethane Coated Fabrics (Dartex or generic equivalent)

- The recommended cleaning and disinfection instructions should be followed whenever possible to avoid damage to the PU membrane which could lead to premature failure of the cover.
- For superficial dirt use a disposable wipe and a warm solution of neutral detergent. Do not use abrasive cleaners.
- Disinfect using a 0.1% sodium hypochlorite solution (1000ppm chlorine), stronger bleach solutions are not recommended.
- Thoroughly wipe off any cleaning solutions with clean water and dry fabric before re-use or storage.
- Do not iron.

Hydraulic Actuator Maintenance

- An initial break-in period of approximately 50-100 full cycles is normal for the hydraulic unit. You may experience a squeaking or a less-than-smooth stroke. The very close fit of its mating parts gives each pump its own break-in "feel" and signature sound.
- If the pump is leaking oil, call a local EasyStand Supplier for a replacement. The EasyStand serial number will be needed.
- Do not exert excessive force on the pump handle or use the pump handle to move your EasyStand around. This may cause damage to the pump handle and/or the pump mechanism and will void any warranty.
- User maintenance is not required or recommended on the hydraulic pump. Never apply lubricant, household oil, grease, or a similar product to any part of the unit. Some compounds may react with the seals used in the manufacture of this product. This may damage the unit and will void any warranty.
- Do not exceed the rated weight limit.
- If the EasyStand was shipped during or exposed to a temperature of less than 50 degrees Fahrenheit (10°C), allow the hydraulic unit must warm to room temperature before any use. Failure to do so could damage the unit and render it inoperable.
- Once the standing position is reached, the pump may settle back one stroke, this is normal.
- It may not be necessary to push the pump handle all the way forward to lower the strap. If experiencing difficulty lowering the strap, try pushing the handle into different positions.
- If the unit is in the standing position and unoccupied, it is necessary to apply pressure to the strap of the unit while pushing the pump handle forward.

Purging The Hydraulic Actuator

The hydraulic pump on the EasyStand has a high probability of getting air trapped in the internal workings of the unit. This is usually caused by in-transit handling and is quite normal. Please follow the simple steps below, as manual hydraulic systems may never operate properly unless the entrapped air is correctly purged. The unit must be at room temperature for this procedure.

1. Pump the handle until the full extension is reached.
2. Continue pumping the handle slowly for an additional 10 strokes. This will properly purge the system.

Specifications

Height Range	5' - 6'5"	152-195cm
Weight Limit	350 lbs.	159kg
Strap Size - large	12"x28"	30x71cm
Strap Size - small	9"x25"	23x64cm
Knee Pad Height, footplate to top of pad	18 to 21 inches	46 to 53 cm
Knee Pad Width, center to center	9 inches	23cm
Knee Pad Depth Range, from back of heel	6 to 9-1/2"	15 to 24 cm
Front Pad Depth Range, from back of heel	2 to 12-1/2 inches	5 to 32 cm
Front Pad Height Range, from foot plate to center of pad	40 to 56 inches	102 to 142 cm
Inside Width / Wheelchair Access	22.75"	58cm
Footprint, Standard Leg	34 x 28"	86 x 71cm
Arms Standard Width	31"	79cm
Frame Color	Oxford Gray	
Upholstery Color	Black	
Weight of Basic Unit, Approximate	125 lbs	57 kgs
OPTIONS		
Lifting Strap – Small	9"x25"	23x64cm
Lifting Strap – Large	12"x28"	30x71cm
Lifting Strap – XLarge	14"x32"	36x81cm
Adjustable Lifting Strap – Small	10"x26"	25x66cm
Range	0"-8"	0-20cm
Adjustable Lifting Strap – Large	12"x29"	30x74cm
Range	0"-8"	0-20cm
Adjustable Lifting Strap – Xlarge	14"x32"	36x81cm
Range	0"-8"	0-20cm
Tray Height Range from Footplate	42 to 58 inches	107 to 147 cm
Subtract height for acrylic tray	1 inch	2.5 cm
Tray Size, Molded or Acrylic	21 x 24 inches	53 x 61 cm
Tray Narrow Size	18"x19"	46x48cm
Arms Narrow Width	29"	74cm
Independent Knee Pads		
Depth Range, from back of heel	3-1/2 to 8 inches	9 to 20 cm
Height Range, from foot plate – top of pad	17 to 22-1/2 in.	43 to 57 cm
Lateral Range, center to center	8 to 12 inches	20 to 30 cm
Multi-Adjustable Feet, height from floor	1 to 5 inches	2.5 to 13 cm
Plantar / Dorsiflexion Adjustment	-20/+20 degrees	
Toe in – Toe out adjustment	Neutral to + 15 degrees	
Swing-out Legs, wheelchair width to	38 inches	97 cm
Swing-out Legs, Base Footprint	30 in. width x 38-1/2 in. length	76 x 98 cm
Actuator Handle Extension	Adds 7"	Adds 18cm
Angle Adjustable Table, range	0 to 35 degrees	
Upper Body Support Strap, pad size	5.5"x24"	14x61cm
Adjustment range	33"-70"	84-178cm
X _L Foot plate Placement area (each foot)	7"x14"	18x36cm

Limited Warranty

This warranty is extended only to the original purchaser/customer (or supplier non consumer who does not buy or resell). Altimate Medical, Inc. warrants the EasyStand StrapStand against defects in materials and workmanship as listed below.

- Steel Frames - 5 year warranty
- Hydraulic Actuator - 2 year warranty
- Upholstered components, plastic pads, rubber parts, painted surfaces, bearings and other parts not specifically identified above - 90 day warranty

The warranty period commences for the consumer on the purchase date from the seller/supplier. If the product is rented or otherwise not sold to a consumer, the warranty period commences from the date of invoice from Altimate Medical. Any product proven to Altimate Medical satisfaction to be defective and within warranty period, shall be repaired or replaced at Altimate Medical's option.

ALTIMATE MEDICAL SOLE OBLIGATION AND YOUR EXCLUSIVE REMEDY UNDER THIS WARRANTY SHALL BE LIMITED TO SUCH REPAIR AND/OR REPLACEMENT. This warranty does not include any labor charges incurred in replacement parts installation. Freight charges to factory are at the expense of consumer to seller. Return freight charges will be prepaid by Altimate Medical. For warranty service, please contact the authorized supplier from whom you purchased your Altimate Medical product. In the event you do not receive satisfactory warranty service, please write directly to Altimate Medical at the address below. Do not return products to our factory without prior authorization.

LIMITATIONS AND EXCLUSIONS: The foregoing warranty shall not apply to serial numbered products if the serial number has been removed or defaced. Products subject to negligence, abuse, misuse, improper operation, improper maintenance, improper storage, or damages beyond Altimate Medical's control are not covered by this warranty, and that evaluation will be solely determined by Altimate Medical. Products modified without Altimate Medical's express written consent (including, but not limited to, modification through the use of unauthorized parts or attachments) are not covered by this warranty. The warranty shall not apply to problems arising from normal wear or failure to follow instructions. The warranty will be void if parts not manufactured by Altimate Medical or parts not complying with original equipment specifications are added to an Altimate Medical product.

THE FOREGOING WARRANTY IS EXCLUSIVE AND IN LIEU OF ALL OTHER EXPRESS WARRANTIES. ALTIMATE MEDICAL SHALL NOT BE LIABLE FOR ANY CONSEQUENTIAL OR INCIDENTAL DAMAGES WHATSOEVER.

Altimate Medical maintains a policy of continual product improvement and reserves the right to change features, specifications, and prices without prior notification. Check with Altimate Medical for latest information.

Altimate Medical, Inc., 262 W. 1st St., Morton, MN 56270 USA
Phone: 507•697•6393 Fax: 507•697•6900 800•342•8968
easystand.com info@easystand.com

Environmental Issues

After life of the product:

- Recycle in accordance with the recycling codes of your country
- Recycle all metal parts
- Plastic parts should be disposed of or recycled according to the directive in your country
- Please inquire at your local disposal management and recycling center for local codes
- Return hydraulic actuator to Altimate Medical, Inc.

AltimateMedical

262 West 1st St.

Morton, MN 56270 USA

Toll Free: 800.342.8968 or 507.697.6393

Fax Free: 877.342.8968 or 507.697.6900

email: info@easystand.com

easystand.com



EasyStand[®]  CE
standing made easy



Standing technology should only be used under the guidance of a physician with recommendations for standing program protocol and any medical precautions. Standing programs should be monitored by the attending therapist. Altimate Medical maintains a policy of continual product improvement and reserves the right to change features, specifications, and prices without prior notification. Check with Altimate Medical for latest information. FORM STRAPIMAN 012715 REV A Copyright © 2015 Altimate Medical, Inc. All rights reserved. Printed in the U.S.A.