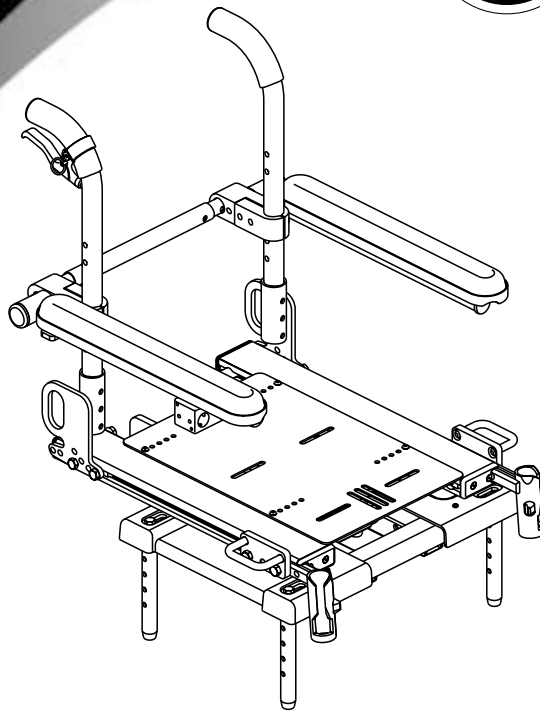


Synergy Manual Tilt

Basic Operation Instructions

ACN# 088 609 661



QUANTUM[®]
REHAB
INNOVATIVE REHAB SOLUTIONS

A Division of Pride Mobility Products[®] Corp.

INFORMATION LABELING

The symbols below are used throughout this manual and on the product to identify warnings and important information. It is very important for you to read them and understand them completely:



WARNING! Failure to follow designated procedures can cause either personal injury, component damage, or malfunction (black symbol on yellow triangle with black border).



MANDATORY! These actions should be performed as specified. Failure to perform mandatory actions can cause injury to personnel and/or damage to equipment (white symbol on blue dot with white border).



PROHIBITED! These actions should be prohibited. These actions should not be performed at any time or in any circumstances. Performing a prohibited action can cause injury to personnel and/or damage to equipment (black symbol with red circle and red slash).



Read and follow the information in the owner's manual.



To prevent unintended movement, turn off the power to the electrically-powered mobility vehicle before using a cell phone, two-way radio, laptop, or any other type of radio transmitter.



Avoid exposure to rain, snow, ice, salt, or standing water whenever possible. Maintain and store in a clean and dry condition.

Copyright © 2005
Pride Mobility Products Corporation
INFMANU2159/Rev B/June 05

TABLE OF CONTENTS

SAFETY	4
THE SYNERGY MANUAL TILT SEATING SYSTEM	6
PRECAUTIONARY GUIDELINES	6
SEAT REMOVAL/INSTALLATION	8
SEAT HEIGHT ADJUSTMENT	10
SYNERGY MANUAL TILT OPERATION	11
ARMREST OPTIONS	11
FLIP-UP ARMRESTS	12
Armrest Angle Adjustment	12
Armrest Height Adjustment	13
HEAVY DUTY DROP-IN ARMRESTS	14
Armrest Removal/Installation	14
Armrest Position Adjustment	14
Armrest Height Adjustment	15
QUICK HEIGHT ADJUSTABLE DROP-IN ARMRESTS	16
Adult Size Armrest Height Adjustments	16
Pediatric Size Armrest Height Adjustments	18
CARE AND MAINTENANCE	19
WARRANTY	19

SAFETY

WELCOME to Quantum Rehab, a division of Pride Mobility Products Corporation (Pride). The product you have purchased combines state-of-the-art components with **safety**, comfort, and styling in mind. We are confident that the design features will provide you with the conveniences you expect during your daily activities. Understanding how to **safely** operate and care for this product should bring you years of trouble free operations and service.

Read and follow all instructions, warnings, and notes in this manual and all other accompanying literature before attempting to operate this product for the first time. In addition, your **safety** depends upon you, as well as your provider, caretaker, or healthcare professional in using good judgement.

This manual is to be used in addition to the power base owner's manual that came with your power chair. If there is any information in this manual which you do not understand, or if you require additional assistance for setup or operation, please contact your Quantum Rehab Specialist. **Failure to follow the instructions, warnings, and notes in this manual and those located on your Pride product can result in personal injury and/or product damage and will void Pride's product warranty.**

PURCHASER'S AGREEMENT

By accepting delivery of this product, you promise that you will not change, alter, or modify this product or remove or render inoperable or unsafe any guards, shields, or other safety features of this product; fail, refuse, or neglect to install any retrofit kits from time to time provided by Pride to enhance or preserve the safe use of this product.

INFORMATION EXCHANGE

We want to hear your questions, comments, and suggestions about this manual. We would also like to hear about the safety and reliability of your new Pride product and about the service you received from your Quantum Rehab Specialist. Please notify us of any change of address, so we can keep you apprised of important information about safety, new products, and new options that can increase your ability to use and enjoy your Pride product.

Please feel free to contact us at the following address:

Pride Mobility Products Corporation
Attn: Customer Care Department
182 Susquehanna Avenue
Exeter, PA 18643-2694

NOTE: If you ever lose or misplace your product registration card or your copy of this manual, contact us and we will be glad to send you a new one immediately.

PRIDE OWNER'S CLUB

As an owner of a Pride product, you are encouraged to enroll in the Pride Owners Club. Complete and return your enclosed product registration card or visit Pride's web site at www.pridemobility.com.

From our home page, select "Owners Club" to enter a page dedicated to current and potential Pride product owners. You will gain access to interviews, stories, recreation ideas, daily living tips, product and funding information, and interactive message boards. These message boards invite you to communicate with other Pride customers as well as Pride representatives who are available to assist you with any questions or concerns.

My Quantum Rehab Specialist Is:

Name: _____

Address: _____

Phone Number: _____

Purchase Date: _____

THE SYNERGY MANUAL TILT SEATING SYSTEM

The Synergy Manual Tilt is a unique seating system designed specifically for the Pride Power Chair. It is fully adjustable to meet the individual needs of the user, and it is mounted to a Pride power base to provide maximum maneuverability.

Reusable fasteners are included in your owner's package for use in attaching the seat cushion to the Synergy Manual Tilt base. These reusable fasteners are not intended for use on cushions with anti-skid material.



WARNING! Do not apply the reusable fasteners if the seat cushion has anti-skid material. Applying reusable fasteners to seat cushions with anti-skid material may damage the cushion.

Figure 1 provides information on the Synergy Manual Tilt components. Use this diagram to familiarize yourself with the function and location of each component before using the Synergy Manual Tilt.

Specifications	
Maximum Weight Capacity	160 pounds
Maximum Seat Dimensions	16" x 18"

PRECAUTIONARY GUIDELINES

Before operating the Synergy Manual Tilt, please read the following safety precautions. These precautions are produced for your benefit and will aid you in the safe operation of the Synergy Manual Tilt.

- Turn off the power before you are seated in the Synergy Manual Tilt.
- Always have assistance when you are being seated in the Synergy Manual Tilt.
- Follow all of the procedures and heed the warnings as explained in your power chair owner's manual.



PROHIBITED! Prevent unintended movement. Turn off the power to the electrically-powered mobility vehicle before using a cell phone, two-way radio, laptop, or any other type of radio transmitter. Avoid coming into close proximity of radio or TV stations. Refer to the owner's manual supplied with your power chair for more information.



WARNING! Your Quantum Rehab Specialist configured your seating system to suit your specific requirements. Do not change the original configuration without first contacting your Quantum Rehab Specialist.

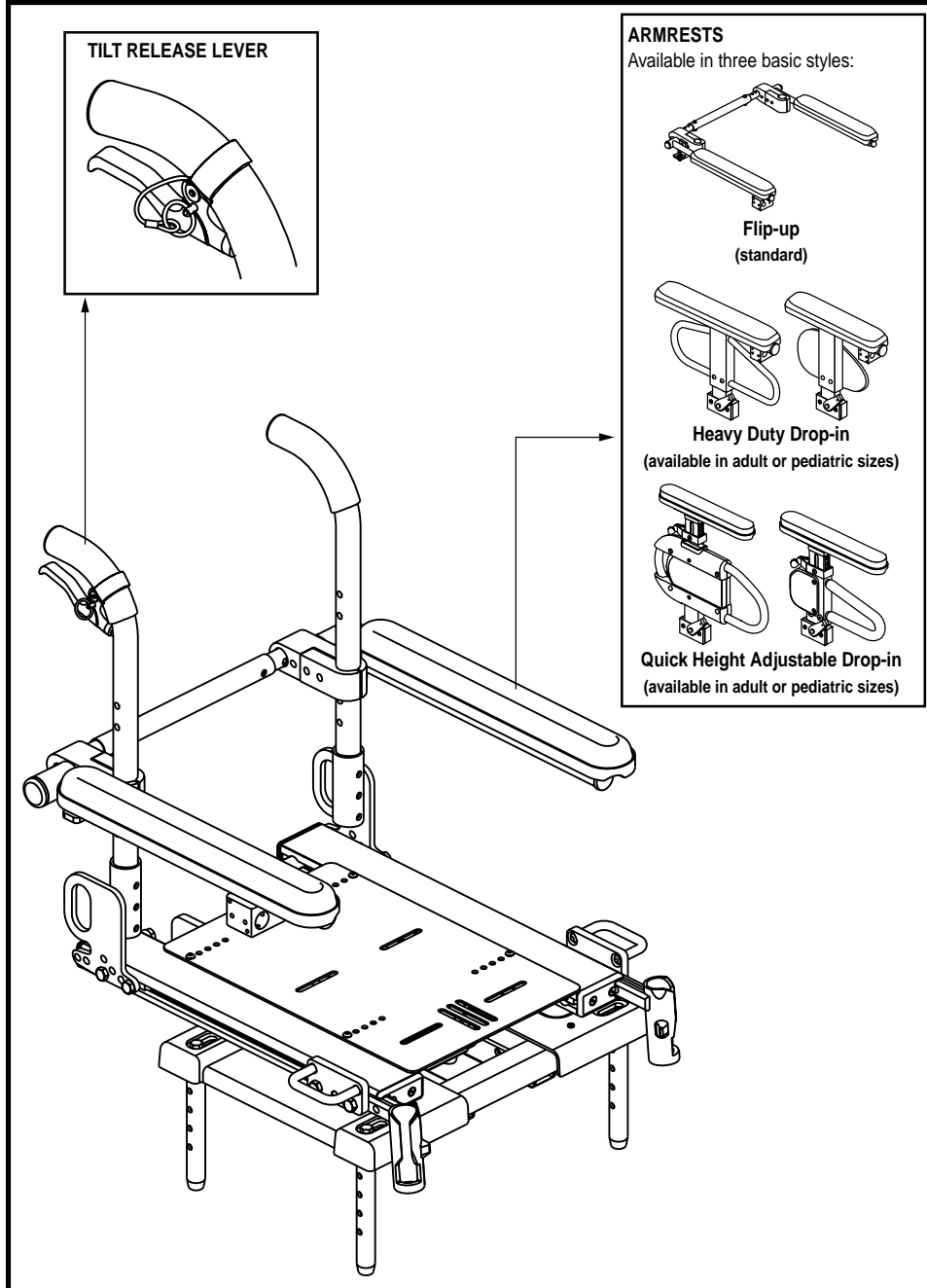


Figure 1. Synergy Manual Tilt Seating System

WARNING! Should the fittings on your seating system become loose, report the problem immediately to your Quantum Rehab Specialist. Loose fittings may cause personal injury and/or damage to your Synergy Manual Tilt and power chair.



WARNING! Your Synergy Manual Tilt was designed to hold up to 160 pounds. Exceeding this weight capacity can cause personal injury and/or equipment damage.

Failure to heed the above warnings can result in personal injury and/or equipment damage.

SEAT REMOVAL/INSTALLATION

The Synergy Manual Tilt can be disconnected from the power base to aid in transport or storage.



WARNING! Removing and installing your Synergy Manual Tilt should be accomplished with no fewer than two people.

To remove the Synergy Manual Tilt from the seat towers:

1. Turn off the power to the controller. Refer to the power chair owner's manual.
2. Disconnect the controller cable from the power base. See figure 2.
3. Disconnect the drive lockout connector from the electronics tray. See figure 2.
4. Remove the screw and washer from each of the four seat towers. See figure 2.
5. Lift the Synergy Manual Tilt. One person should lift from the front of the seat and another should lift from the rear. Lift the seat straight up off of the seat towers.

To install the Synergy Manual Tilt on the seat towers:

1. Lift the Synergy Manual Tilt above the seat towers. One person should lift from the front of the seat and another should lift from the rear.
2. Lower the seat so that the seat base rests on the four seat towers. See figure 2.
3. Install the screws and washers to lock the seat onto the seat towers. See figure 2.
4. Connect the drive lockout cable to the power base. See figure 2.
5. Connect the controller cable to the power base. See figure 2.

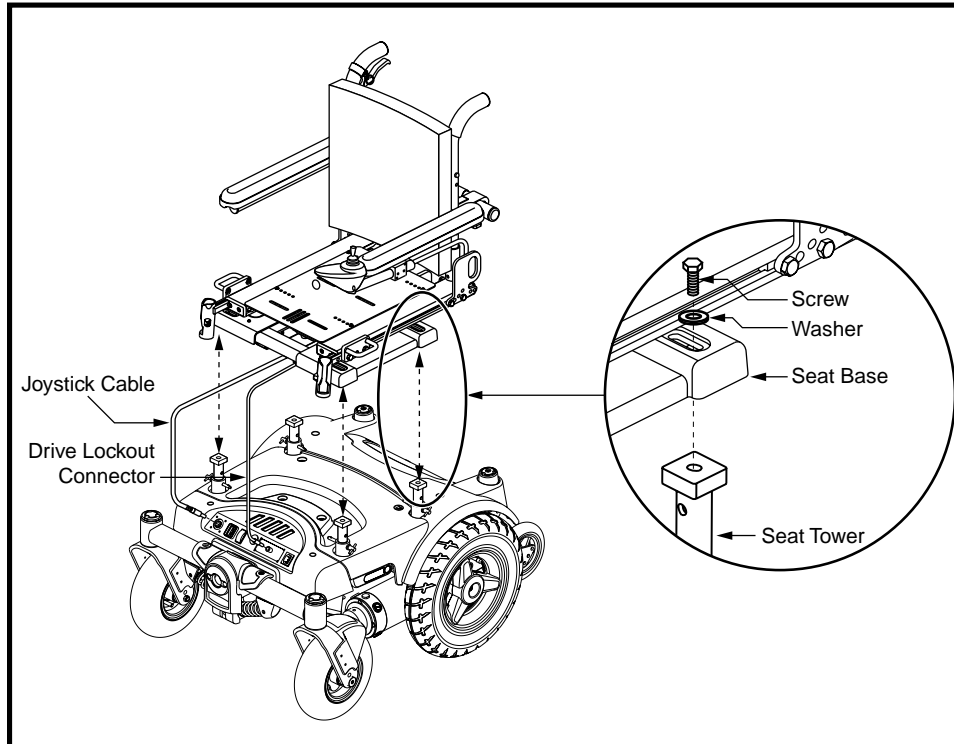


Figure 2. Synergy Manual Tilt Removal/Installation

SEAT HEIGHT ADJUSTMENT

The Synergy Manual Tilt can be raised or lowered on the power chair base for custom positioning.

To adjust the seat height:

1. Remove the seat from the seat towers. See “Seat Removal/Installation.”
2. Remove the T-handle detent pins from the seat mount connectors. See figure 3.
3. Raise or lower the seat towers to the desired height and reinstall the T-handle detent pins. See figure 3.
4. Reinstall the seat to the seat towers.

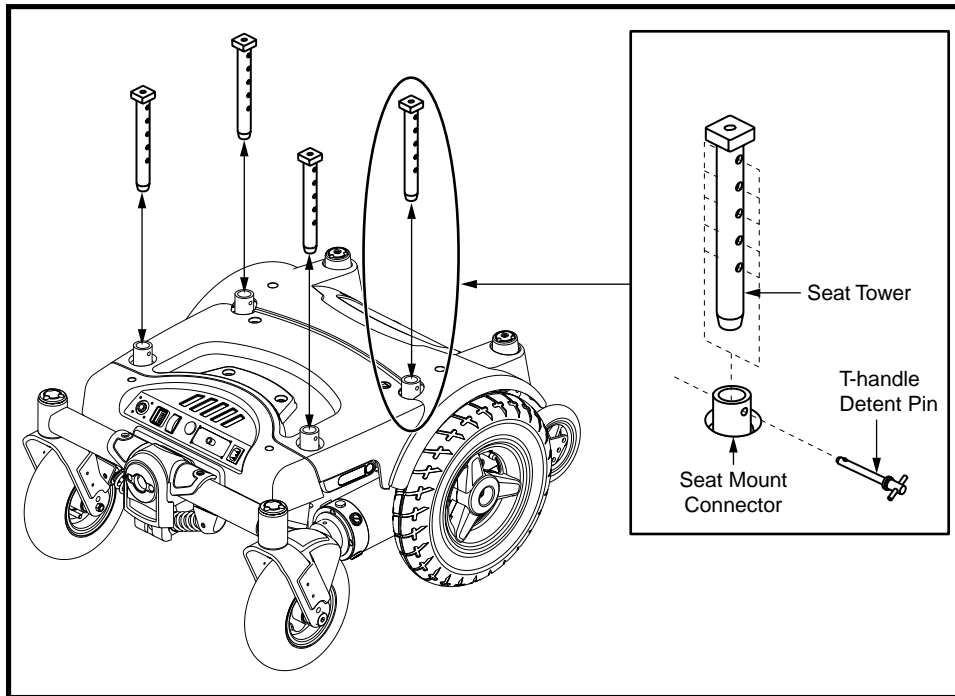


Figure 3. Seat Height Adjustment

SYNERGY MANUAL TILT OPERATION

The Synergy Manual Tilt can be positioned at 0-45 degrees, in almost infinite increments.

1. Remove the detent pin from the tilt release lever. See figure 4.
2. Squeeze the tilt release lever and tilt the seat.
3. Release the tilt release lever when the seat is in a comfortable position.

NOTE: *The tilt release lever may be mounted onto either back cane.*



WARNING! When the seat is tilted 20 degrees or more, an inhibit switch will cut power to the motors of your power chair. Returning the seat to an angle of less than 20 degrees will restore power to the motors.

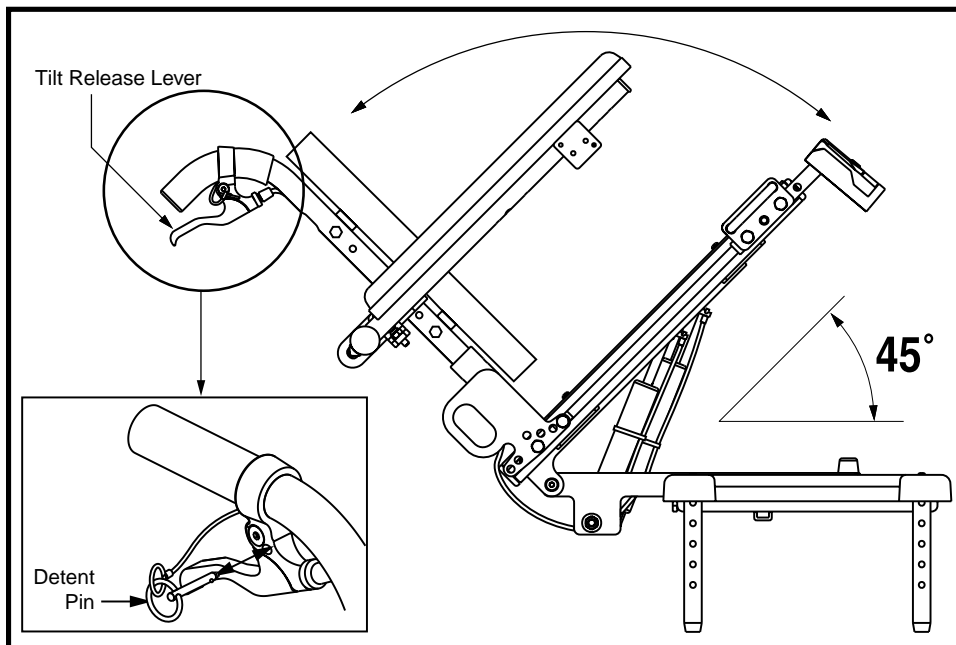


Figure 4. Synergy Manual Tilt Operation

ARMREST OPTIONS

There are three types of armrest styles available for the Synergy Manual Tilt Seating System: Flip-up, Heavy Duty Drop-in, and Quick Height Adjustable Drop-in. See figure 1.

The following sections will describe these armrests and the comfort adjustments that can be made to them.

FLIP-UP ARMRESTS

The Flip-up Armrests are attached to the seat canes and are designed to “flip-up” out of the way for easier transfer onto and off of the power chair. Both the armrest angle and the armrest height can be adjusted on the Flip-up armrests.

Armrest Angle Adjustment

The Flip-up Armrests can be adjusted to slope upwards or downwards.

Required Tools:

- Standard hex key set
- Open-ended wrench

To adjust the armrest angle:

1. Move the armrests up and out of the way.
2. Loosen the jam nut located on the armrest angle support bracket. See figure 5.
3. Loosen or tighten the button head screw located on the armrest angle support bracket. Loosening the button head screw will increase the armrest angle; tightening the button head screw will decrease the armrest angle. See figure 5.
4. When the screw has been positioned to the proper angle, tighten the jam nut. See figure 5.
5. Move the armrests down to position.

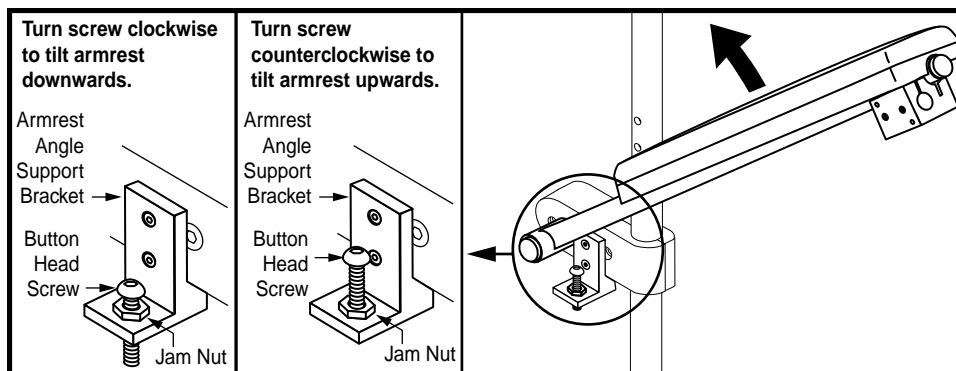


Figure 5. Flip-up Armrest Angle Adjustment

Armrest Height Adjustment

The Flip-up Armrests can be raised or lowered by adjusting the armrest clamp higher or lower on the seat canes.

Required Tools:

- Standard hex key set
- Open-ended wrench

To adjust the armrest height:

1. Move the armrests up and out of the way.
2. Loosen the jam nut located on the armrest angle support bracket. See figure 5.
3. Remove the button head screw and jam nut from the armrest angle support bracket. See figure 5.
4. Remove the two (2) flat head screws from the armrest angle support bracket, then remove the bracket. See figure 6.
5. Remove the socket head cap screw from the armrest clamp. See figure 6.
6. Raise or lower the armrests to the desired height.
7. Reinstall the socket head cap screw to the armrest clamp. See figure 6.
8. Replace the armrest angle support bracket, then reinstall and tighten the two (2) flat head screws. See figure 6.
9. Reinstall and tighten the button head screw to the armrest angle support bracket, then tighten the jam nut. See figure 5.
10. Move the armrests down to position.

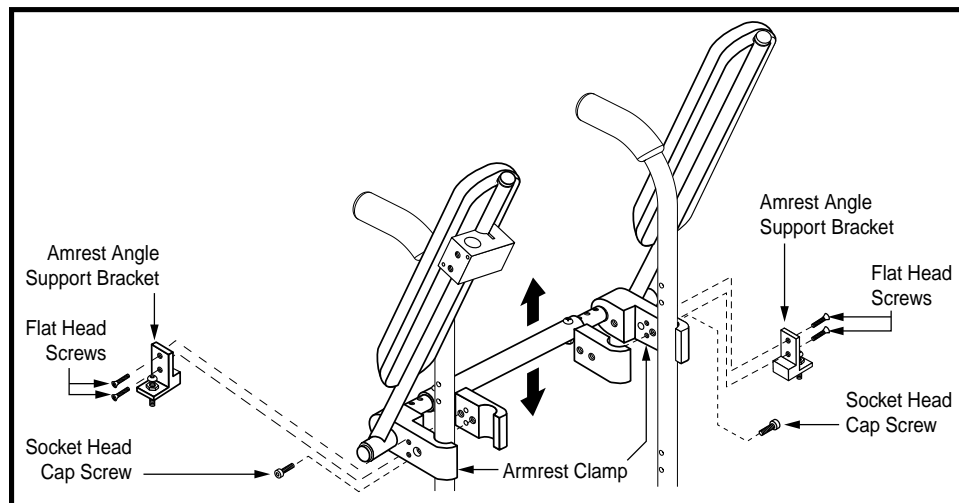


Figure 6. Flip-up Armrest Height Adjustment

HEAVY DUTY DROP-IN ARMRESTS

The Heavy Duty Drop-in Armrests are attached to the chair with an armrest locking mechanism that is fastened to the side rails of the Synergy Manual Tilt. These armrests can be removed for easy transfer onto and off of the power chair. The position of the armrest on the chair, as well as the overall height of the armrest, can be adjusted.

The Heavy Duty Drop-in Armrests are available in both adult and pediatric sizes. Both are adjustable in exactly the same way.

Armrest Removal/Installation

To remove the armrest assembly:

1. Rotate the armrest lock lever rearward. See figure 7.
2. Lift up the armrest assembly.

To install the armrest assembly:

1. Place the armrest assembly into the armrest lock. See figure 7.
2. Rotate the armrest lock lever forward.

Armrest Position Adjustment

The position of the armrests along the side rails can be adjusted forward or rearward.

Required Tools:

- Standard hex key set

To adjust the armrest position:

1. Remove the armrest from the armrest lock. See “Armrest Removal/Installation” above.
2. Loosen the flat head screws that fasten the armrest lock to the seat base side rail. See figure 8.

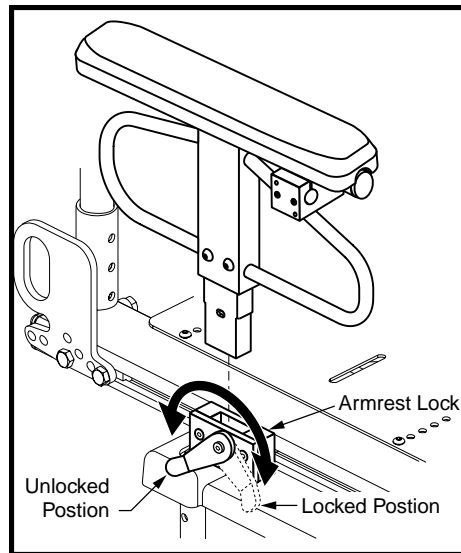


Figure 7. Armrest Removal

3. Slide the armrest lock forward or rearward along the seat base side rail.
4. Tighten the flat head screws.
5. Install the armrest in the armrest lock. See figure 8.
6. Repeat for the other side if necessary.

Armrest Height Adjustment

The height of the armrest can be adjusted by sliding the armrest up or down the detent bar.

Required Tool:

- Standard hex key set

To adjust the armrest height:

1. Rotate the armrest lock lever rearward and remove the armrest from the armrest lock. See figure 9.
2. Remove the two (2) button head cap screws from the side of the armrest.
3. Slide the armrest up or down the detent bar to the desired height.
4. Reinstall the button head cap screws to the side of the armrest.
5. Install the armrest in the armrest lock and rotate the lock lever forward.
6. If necessary, repeat for the other armrest.

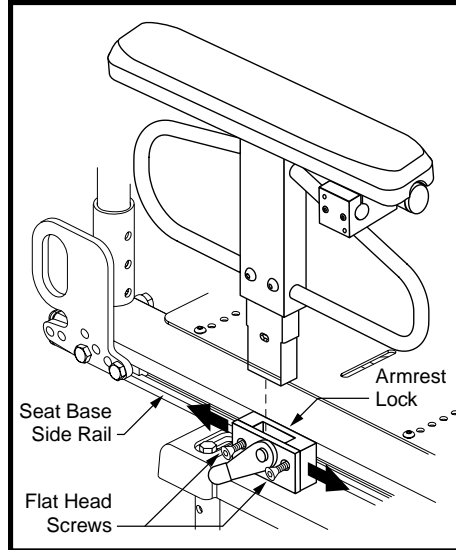


Figure 8. Armrest Position Adjustment

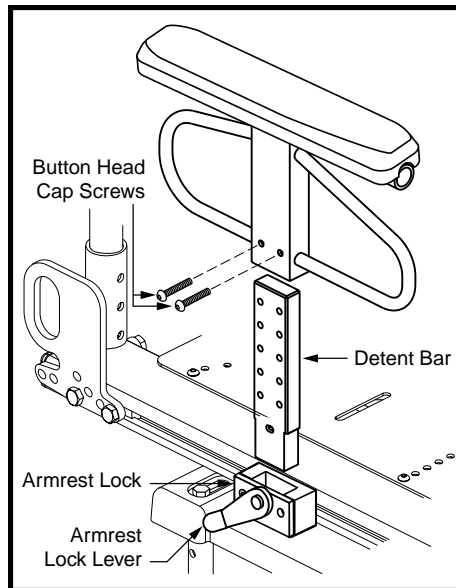


Figure 9. Armrest Height Adjustment

QUICK HEIGHT ADJUSTABLE DROP-IN ARMRESTS

The Quick Height Adjustable Drop-in Armrests are removable like the Heavy Duty Drop-in Armrests. In addition, the armpad can be raised or lowered using a release lever located just below the armpad. See figure 10.

The Quick Height Adjustable Drop-in Armrests are available in both adult and pediatric sizes.

NOTE: *Both the adult and pediatric Quick Height Adjustable Drop-in armrests use the same armrest lock as the Heavy Duty Drop-in armrests. The procedures for removal and position adjustment are the same. See figures 7 and 8.*

Adult Size Armrest Height Adjustments

Height adjustments can be made on both the top and the bottom of the armrest. The total height adjustment range is 6 inches (from 11–17 inches). This range is measured from the top of the seat base side rail to the top of the armpad.

Top height adjustments do not require any tools. The top height adjustment range is 3 inches in 1/2-inch increments. The bottom height adjustments range is 3 inches in 1/2-inch increments.

To adjust the top height:

1. Twist the release lever inward or outward. See figure 10.
2. Slide the armrest up or down.
3. Return the release lever to its original position and the armrest will lock into place.

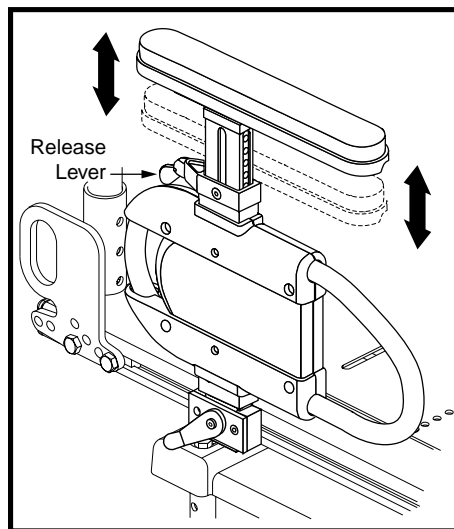


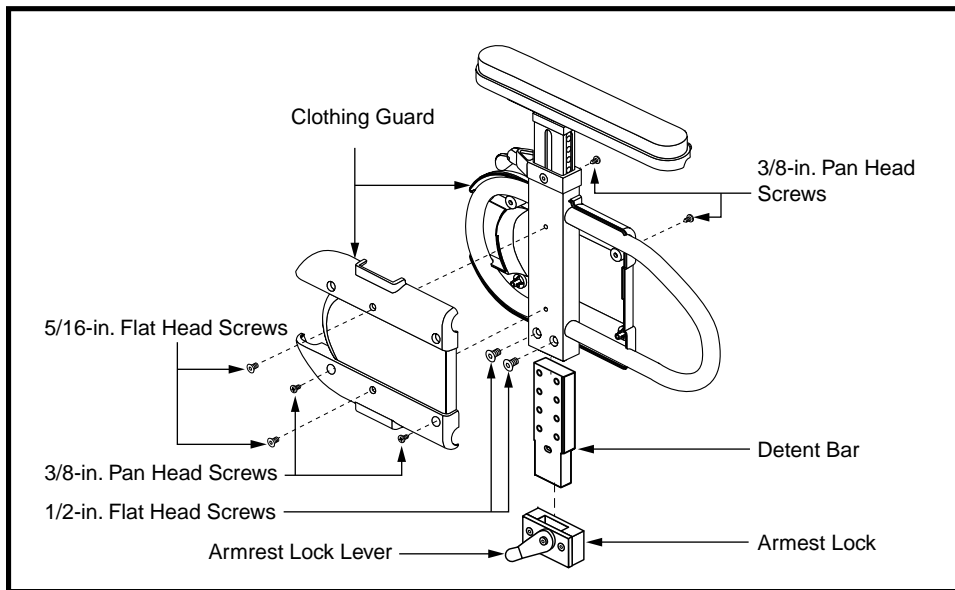
Figure 10. Adult Size Armrest Top Height Adjustment

Required Tools:

- Phillips head screwdriver
- Standard hex key set

To adjust the bottom height:

1. Remove the four (4) pan head screws. See figure 11.
2. Remove the two (2) flat head screws. Remove the plastic clothing guard.
3. Remove the two (2) flat head screws from the detent bar.
4. Slide the armrest up or down.
5. Line up the holes in the armrest.
6. Reinstall the two flat head screws.
7. Reinstall the plastic clothing guard.

**Figure 11. Adult Size Drop-in Armrest Bottom Height Adjustment**

Pediatric Size Armrest Height Adjustments

Like the adult size Quick Height Adjustable Drop-in Armrest, this pediatric size drop-in armrest is designed to be adjusted and removed easily. The height adjustment range is 3 inches in 1/2-inch increments. This range is measured from the top of the seat rail to the top of the arm pad. The total height adjustment range is 8–11 inches.

Unlike the adult size armrest, no bottom height adjustments can be made.

To adjust the armrest height:

1. Twist the release lever inward or outward. See figure 12.
2. Slide the armrest up or down.
3. Return the release lever to its original position and the armrest will lock into place.

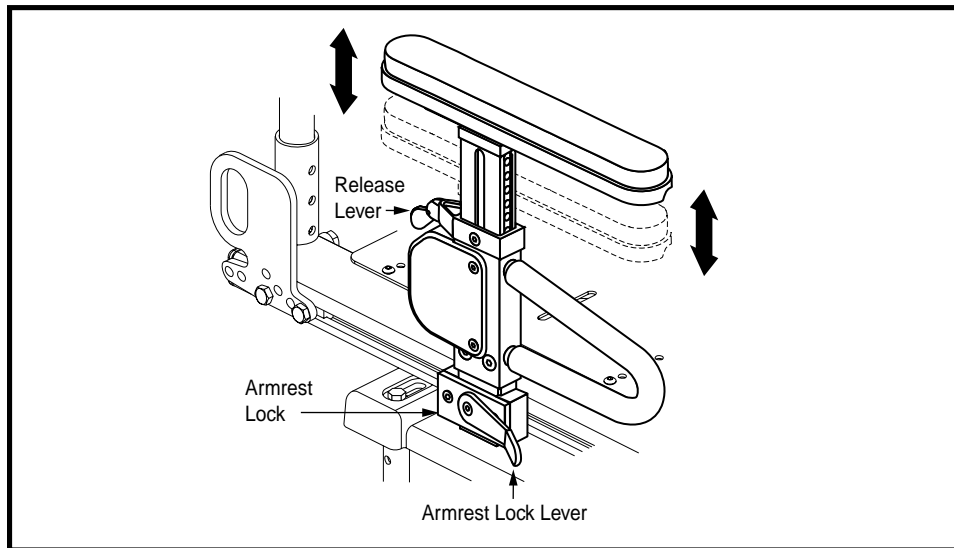


Figure 12. Pediatric Size Armrest Height Adjustment

CARE AND MAINTENANCE

- Make sure all hardware is secured properly, but do not overtighten any hardware.
- To clean the Synergy Manual Tilt, wipe it with a cloth dampened with mild soap and water. Thoroughly dry the unit before using.



WARNING! Do not expose your Synergy Manual Tilt to any type of inclement weather (rain, snow, or mist) at any time. Such exposure could damage your unit and interfere with operation.

WARRANTY

Three-Year Limited Warranty

For three (3) years from the date of purchase, Pride will repair or replace at our option to the original purchaser, free of charge, any of the following parts found upon examination by an authorized representative of Pride to be defective in material and/or workmanship:

- Structural frame components

Two-Year Limited Warranty

For two (2) years from the date of purchase, Pride will repair or replace at our option to the original purchaser, free of charge, any of the following parts found upon examination by an authorized representative of Pride to be defective in material and/or workmanship:

- Electronics (drive lock out)

Warranty service can be performed by a Quantum Rehab Specialist or by Pride. Do not return faulty parts to Pride without prior consent. All transportation costs and shipping damage incurred while submitting parts for repair or replacement are the responsibility of the original purchaser.

Warranty Exclusions:

- Upholstery and seating
- Repairs and/or modifications made to any part without specific consent from Pride
- Circumstances beyond the control of Pride
- Labor, service calls, shipping, and other charges incurred for repair of the product, unless specifically authorized by Pride
- Damage caused by:
 - Battery fluid spillage or leakage
 - Abuse, misuse, accident, or negligence
 - Improper operation, maintenance, or storage
 - Commercial use or use other than normal

There is no other express warranty.

Implied warranties, including those of merchantability and fitness for a particular purpose, are limited to one (1) year from the date of purchase and to the extent permitted by law. Any and all implied warranties are excluded. This is the exclusive remedy. Liabilities for consequential damages under any and all warranties are excluded.

Some states do not allow limitations on how long an implied warranty lasts or do not allow the exclusion of limitation of incidental or consequential damages, so the above limitation or exclusion may not apply to you.

This warranty gives you specific rights, and you may also have other rights which vary from state to state.

Please fill out and return the product registration card to Pride Mobility Products Corporation. This will aid Pride in providing the best possible technical and customer service.

NOTE: If you ever lose or misplace your product registration card or this manual, contact us and we will be glad to send you a new one immediately.

NOTES

NOTES

NOTES

QUANTUM[®]

REHAB

INNOVATIVE REHAB SOLUTIONS

A Division of Pride Mobility Products[®] Corp.

www.quantumrehab.com
www.pridemobility.com

Pride Mobility Products Corporation

182 Susquehanna Avenue
Exeter, PA 18643
USA

Pride Mobility Products Company

380 Vansickle Road Unit 350
St. Catharines, Ontario L2R 6P7
Canada

Pride Mobility Products Ltd.

Unit 106, Heyford Park Camp Road
Upper Heyford, Oxfordshire OX25 5HA

Pride Mobility Products Australia Pty. Ltd.

21 Healey Road
Dandenong, 3175
Victoria, Australia

Pride Mobility Products Italia s.r.l.

Via del Progresso - ang. Via del Lavoro
Loc. Prato della Corte
00065 Fiano Romano (RM)

Pride Mobility Products Europe B.V.

Tijnmuiden 28
1046 AL Amsterdam
The Netherlands

Pride