



# INSTALLATION/USERS MANUAL





**IMPORTANT:** The installation and set up instructions should be carried out by a qualified technician.

**IMPORTANT:** It is important to refer to the wheelchair owner's manual for additional safety information related to the safe operation of the wheelchair.

Complies with:

-ISO 16840-4 Wheelchair Seating - part 4: Seating Systems for use in motor vehicles.

-RESNA WC-4:2012 Section 20: Seating Systems for use in motor vehicles.

It is recommended that a headrest be used when the back rest is used for transport in a motor vehicle.



1422791 Ontario Ltd  
Dynamic Health Care Solutions  
753011 2<sup>nd</sup> Line, Mono ON L9W 2Z2, Canada



+519-942-8441 | [www.DynamicHCS.com](http://www.DynamicHCS.com)



Advena Ltd. 33 Bridge St, Hereford HR4 9DQ, UK



## TABLE OF CONTENTS

Mounting Hardware/Tools Required . . . . .	4
Important Installation Information . . . . .	4
Installation Instructions . . . . .	6
Removing the Backrest . . . . .	10
Removing the Backrest Cover for Washing . . . . .	10
Installing Pelvic/Lumbar or Lateral Supports . . . . .	11
Installing the Head/Neck Support Hardware . . . . .	11
ARMADILLO MAPS Back . . . . .	12
Warranty . . . . .	14

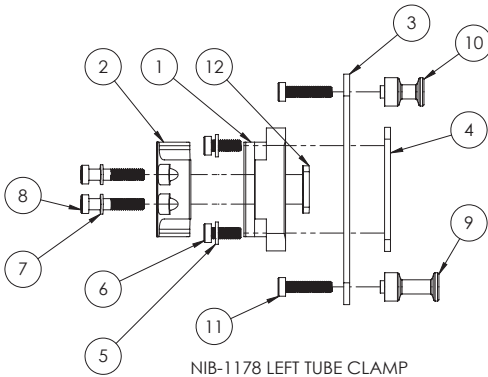
# MOUNTING HARDWARE/TOOLS REQUIRED

## REQUIRED TOOLS

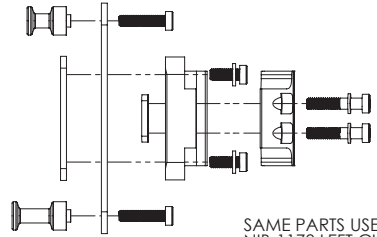
### ALLEN KEYS



4mm (5/32")



NIB-1178 LEFT TUBE CLAMP  
REAR VIEW



NIB-1004 RIGHT TUBE CLAMP  
REAR VIEW

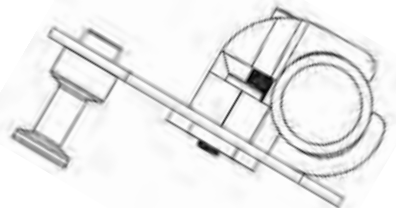
SAME PARTS USED AS  
NIB-1178 LEFT CLAMP

PART NO.	ITEM NO.	DESCRIPTION	QTY/CLAMP
NIB-1002	1	G3 CLAMP - INNER	1
NIB-1003	2	G3 CLAMP - OUTER	1
NIB-0999	3	G3 MOUNTING BRACKET-QR	1
NIB-1001	4	G3 CLAMP PLATE	1
NIB-0791	5	M6 FLAT WASHER	2
NIB-1069	6	M6X16mm HSCS-LOW PROFILE	2
NIB-0621	7	WASHER FOR ALUMINUM CLAMP	2
NIB-0813	8	M6X30mm HSCS-LOW PROFILE	2
NIB-1000	9	G3 MOUNTING PIN-LONG	1
NIB-1177	10	G3 MOUNTING PIN-SHORT	1
NIB-0787	11	M6X25mm HSCS-LOW PROFILE	2
NIB-1068	12	G3 CLAMP INNER NUT	1

## IMPORTANT INFORMATION: READ BEFORE INSTALLATION

**The Quickfit mounting hardware can accommodate different size back canes.**

3/4"-19mm 7/8"-22mm and 1"-25mm back canes can be accommodated without inserts.



## IMPORTANT INFORMATION: FOLLOW BEFORE INSTALLATION

**WEIGHT CAPACITY:** The weight capacity of the **nxt** Back is 300lbs – 136kg/400lbs 182kg on 22" (55cm) and larger

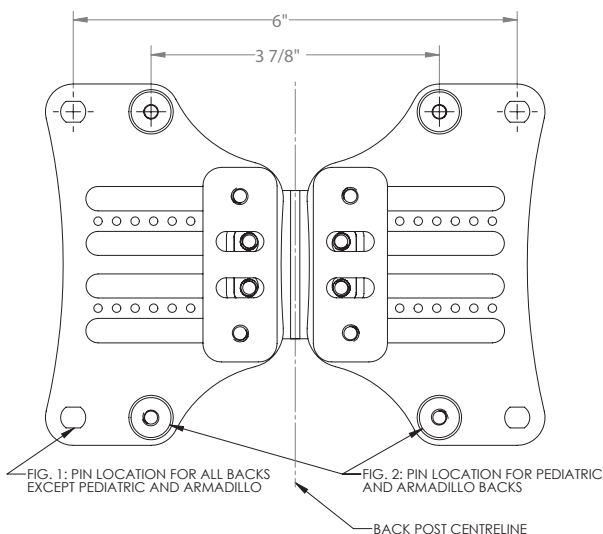
Please note that the Quickfit mounting hardware on the **nxt** Back are pre-assembled with the cane clamp in the rear most mounting position to maximize seat depth of the wheelchair. See *Fig. 1* below.

The configuration can be changed by orienting the Quickfit cane clamp forward, providing a forward mounting position. See *Fig. 2* below.

**Note:** The Quickfit mounting hardware provides 3" (7.6cm) of depth adjustment, in front of and behind the back canes.

To set the Quickfit mounting hardware in the forward most position:

- Remove the cane clamp from the mounting plate
- Rotate the cane clamp 180° and re-attach it to the mounting plate
- Install clamp as shown in *Fig. 2*



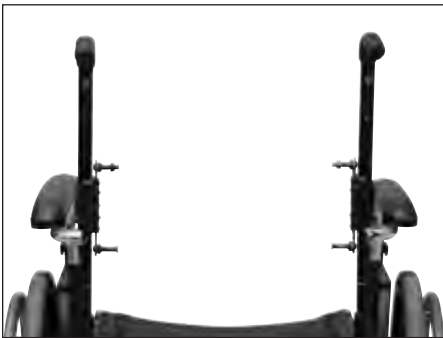
**Please Note:** Setting the desired position of the **nxt** Back may compromise the stability of the wheelchair.

Be aware that the forward and aft position for the backrest will change the user's centre of gravity within the wheelchair. A back set in the most rearward position can significantly reduce the rearward stability of the wheelchair. In contrast, a more forward back position may reduce the wheelchair's forward stability.

## next BACK INSTALLATION INSTRUCTIONS

**WARNING: DO NOT** substitute hardware provided.  
Use only high strength hardware provided.

1. Remove wheelchair back upholstery if applicable.
2. Establish the desired mounting plate configuration for the user as described on page 5.
3. Loosen the 2 tube clamp screws and mount Quickfit bracket on the back canes.
4. Position the cane clamp at the height desired and tighten screws enough to hold it in place. Full tightening can be done when back is installed and final adjustments have been done.
5. Measure the height of the Quickfit clamp assembly from a fixed position on the wheelchair and install the second at the same desired height. Further, make sure the cane clamp mounting plates are mounted parallel with each other. See *Fig. 4* below.
6. All HA (Height Adjustable) Backs can be infinitely adjusted from 16"–40.6cm to 20"–50.8cm. Loosen the four cap screws with a 4mm Allen wrench on the rear of the backrest, set the backrest to the desired height and tighten the lock nuts into place. When the HA Back is in its lowest position, tuck the excess padding behind the seat cushion. See *Fig. 5* below.

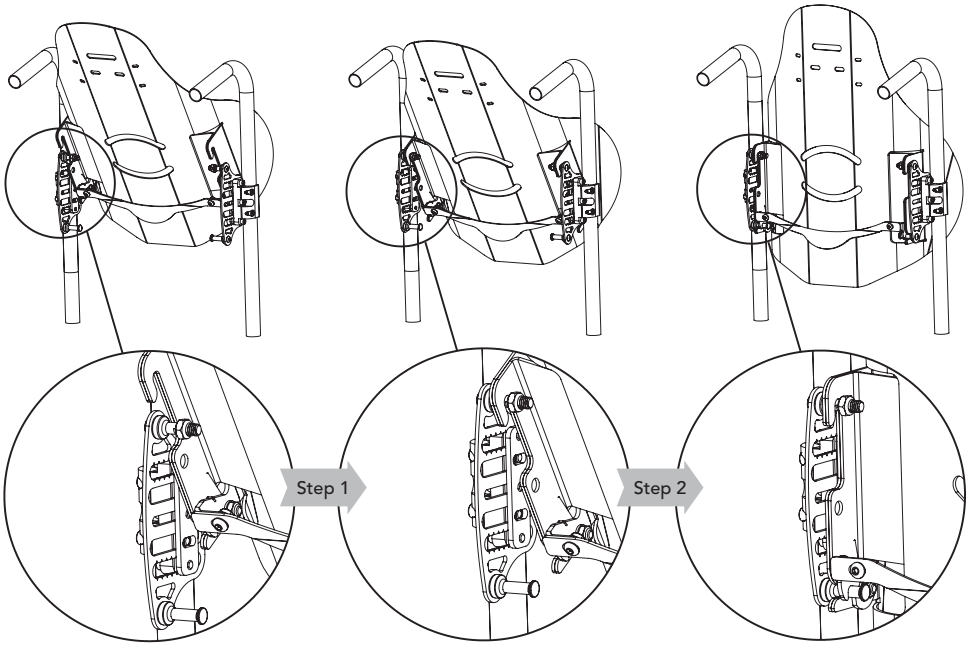


*Fig. 4:* Cane clamps must be installed at the same height and parallel to each other



*Fig. 5:* Loosen 4 cap screws to adjust back height

## nxt BACK INSTALLATION INSTRUCTIONS



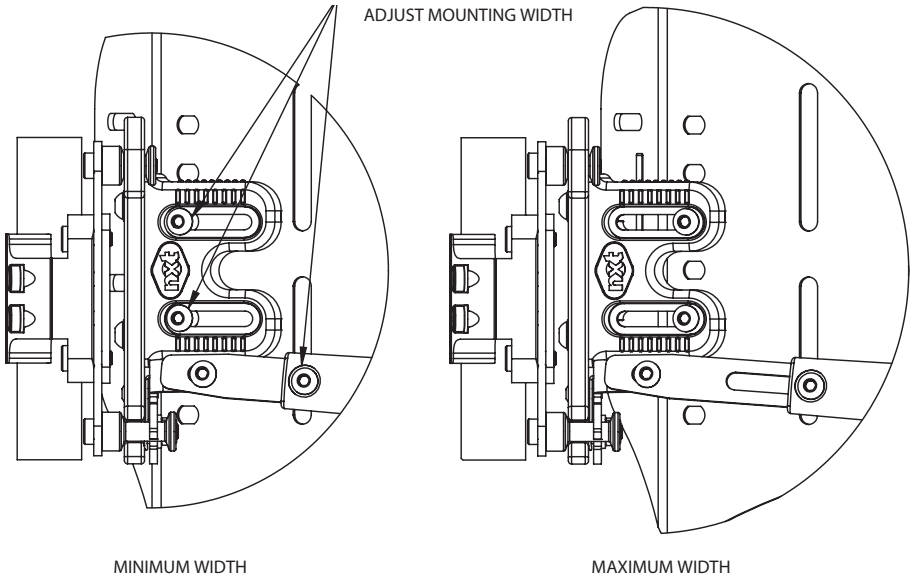
7. To install the backrest on the mounting plates:

Step 1: Insert the top of the backrest slot onto the top adjustment pins

Step 2: Rotate the lower section of the backrest rearward to lock it into the locking latch to secure the backrest in place.

Step 3: Ensure that the latches lock completely by pushing down on the release handle or latches if necessary.

## nxt BACK INSTALLATION INSTRUCTIONS



8. To ensure the backrest is properly fitted you may need to adjust the mounting hardware to match the back cane width.
  - Step 1: Loosen the screws to adjust the mounting width and the one-hand release.
  - Step 2: Make sure the backrest is centered horizontally and vertically between the back canes and the locking latch on the bottom is on the inside of the post
  - Step 3: When satisfied, tighten screws.
  - Step 4: The width adjustable mounting hardware allows the backrest to fit 3 sizes of wheelchair, ie a 16"/40cm wide back rest can fit a 16"/40cm, a 17"/43cm or 18"/45cm wheelchair.



# next BACK INSTALLATION INSTRUCTIONS

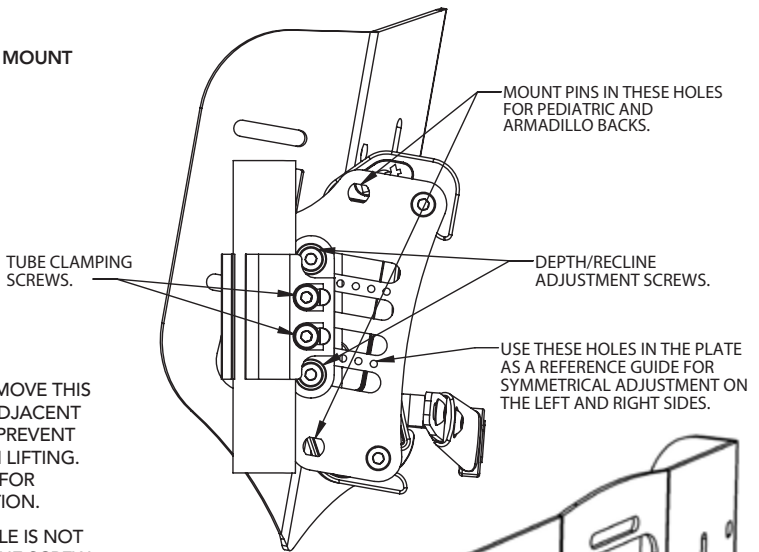
9. Make sure that the overall fit and alignment of the back is correct, if not make adjustments as required.
10. Secure the cane clamp screws onto each back cane.
11. Setting the depth and recline settings it is best done with the client seated in the wheelchair. While the client is seated and supported in the wheelchair, loosen the depth screws on the mounting plate and set to the desired position. Tighten all screws to lock the backrest in position. The backrest can be mounted asymmetrically, so be sure that it is symmetrical if desired.

## QUICK RELEASE MOUNT

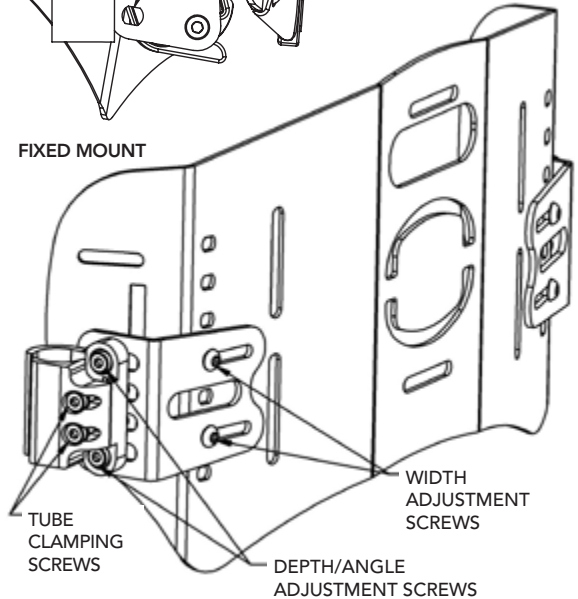


TO LOCK LATCH MOVE THIS SCREW TO THE ADJACENT HOLE, THIS WILL PREVENT THE LATCH FROM LIFTING. REPLACE SCREW FOR NORMAL OPERATION.

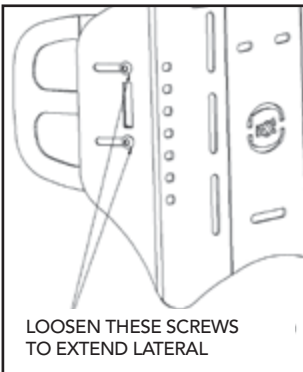
NOTE: EXTRA HOLE IS NOT THREADED BUT THE SCREW WILL MAKE ITS OWN THREAD.



## FIXED MOUNT



## LATERAL CONTOUR DEPTH ADJUSTMENT



## REMOVING THE BACKREST



To remove the backrest from the wheelchair

Step 1: Lift on the one hand release lever to release the latches, push the bottom of the back forward.

Step 2: Lift the backrest off the upper pins to remove completely.

## REMOVING THE COVER FOR WASHING & CARE

1. Remove the upholstery from the backrest.
2. For light cleaning of the backrest fabric may be wiped down with a damp cloth.
3. Follow laundering instructions provided with the cover.



Undo velcro closure & remove foam pad before washing outer cover

## PELVIC/LUMBAR SUPPORTS & OPTIONAL LATERAL SUPPORTS

1. The Pelvic-lumbar support pads can be uniquely positioned to provide optimal pelvic positioning and lumbar support. The supports come uninstalled, allowing them to be specifically fit to the person at the time of the back installation. Fit as shown between fabric and inner shell of backrest. Hook Velcro on the front of the pelvic pad attached to the Velcro compatible fabric of the cover.
2. Where additional lateral support is required, optional lateral supports are. Fit pads between the fabric and the shell of the backrest.
3. After positioning support pads, seal velcro closure, reposition cover on the backrest shell, attach the upholstery.



Pelvic-lumbar support pads



Lateral support pads

## INSTALLING HEAD/NECK SUPPORTS

Attachment slots are stamped into the back shell for attaching next Multifit Head Support or after market head/neck supports.



Pre stamped head/neck rest slots

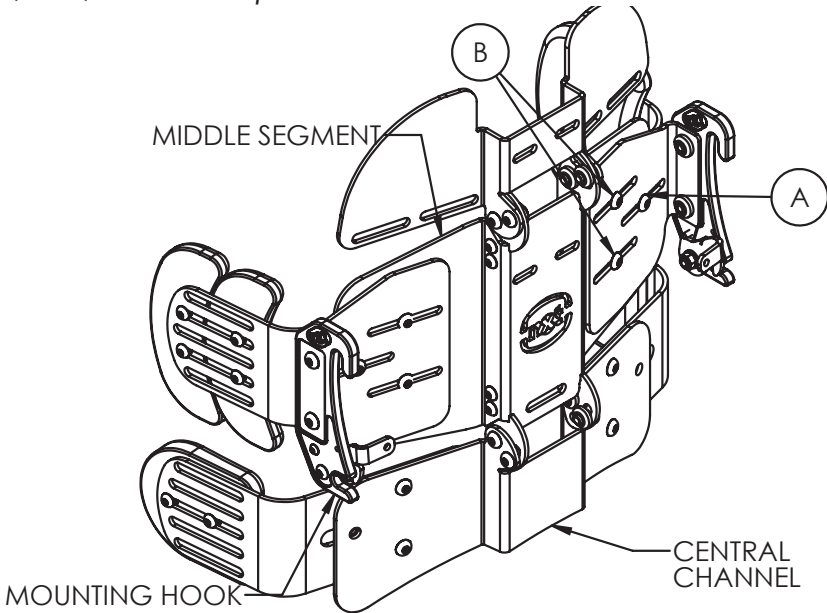
# ARMADILLO MAPS BACK

(MULTI ADJUSTABLE POSTURAL SUPPORT)

## 1. Setting Back Height and Angle

The MAPS back installs, like all *nxt* backs, using Universal Clamps attached to the back canes. The back height and angle of the middle shell segment are adjusted using these clamps as shown in the *nxt* INSTALLATION/USERS MANUAL.

*NOTE: When installing a back, always ensure the latches are closed (down) on the lower pins.*



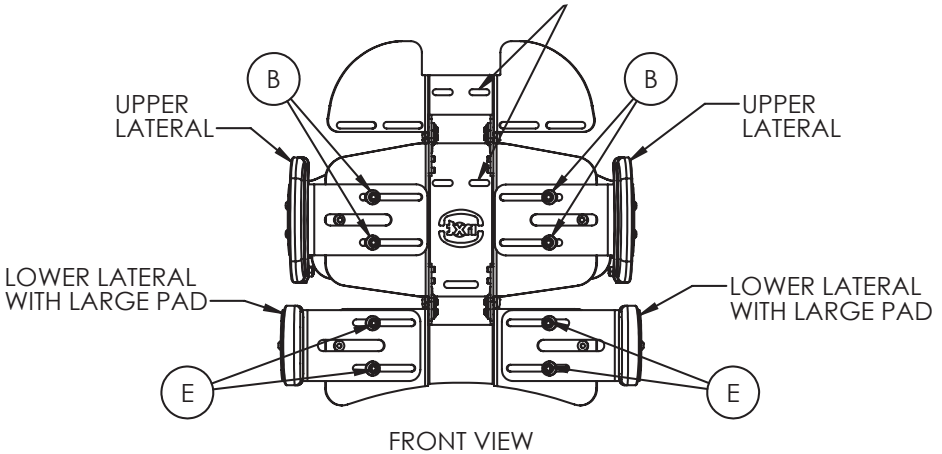
*NOTE: Screws A & B on the left and right side of the back must be used to make width adjustments.*

## 2. Adjusting Back to match Chair Width

The MAPS back is available in sizes to fit chair widths 14"-24". To adjust the mounting hook width, loosen screws A and B and slide the mounting hooks to the correct width and tighten all screws. Screw A fits into a fixed threaded hole in the middle shell segment and screws B fit into sliding nuts which also hold the upper laterals in place if installed. The hooks are infinitely adjustable between the minimum and maximum width and are normally placed symmetrically on the back but may be asymmetrical if required.

### 3. Head Rest Mounting

The Upper and Middle segments of the MAPS shell have slots to accept mounting hardware for the next MultiFit Head Rest. Choose the location which provided the best positioning for the head rest.

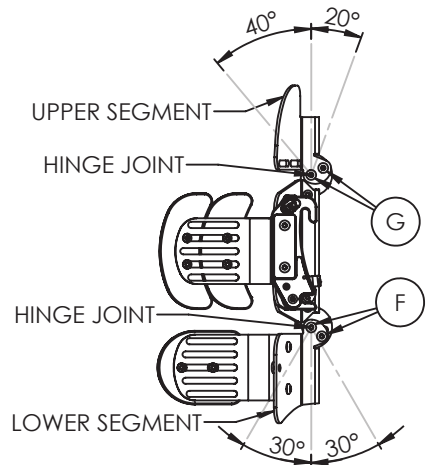


### 4. Lateral Installation and Adjustment

Upper laterals are held in place by screws B and the Lower laterals by screws E. These screws thread into sliding nuts in slots on the laterals allowing the laterals to be infinitely adjustable between their most inner and outer positions only limited by the postural requirements of the occupant of the wheelchair and any structural components of the wheelchair. Loosening screws B or E allowing the laterals to slide will not affect the positioning of the mounting hooks.

### 5. Angle Adjustments

The Upper and Lower segments of the MAPS shell are individually angle adjustable with respect to the Middle segment. Loosening screws G (on both sides of hinge joint) allows the Upper segment to be tilted forward up to 40 degrees or backward up to 20 degrees. Loosening screws F (on both sides of hinge joint) allows the Lower segment to be tilted forward or backward up to 30 degrees. Tightening the screws locks the segment preventing a change in angle. Ensure all 8 screws are tightened.



## WARRANTY POLICY

The **nxt** Seating Series Back Support has a Limited Warranty for 24 months from the date of delivery to the original purchaser. If any defect in material or workmanship is found, the manufacturer will repair or replace the component, at our discretion. This limited warranty does not cover daily wear and tear or damage that is a result of mishandling, misuse, neglect, or not following the care and maintenance instructions. Your Back Support cover is under warranty for 90 days. The warranty includes damage due to workmanship, material defects or errors caused by the manufacturer. This warranty does not apply to cigarette burns, damage to the cover by sharp objects that may cause tears, or damage as a result of not following the washing instructions. Claims and repairs should be processed through your nearest authorized Dealer. A copy of the invoice issued to the purchaser of the product may be required prior to processing a warranty claim.





By  **dynamic**  
HEALTH CARE SOLUTIONS

**Dynamic Health Care Solutions**  
T (866) 875-2877 • F (866) 875-2878  
[www.DynamicHCS.com](http://www.DynamicHCS.com)