

Home Care Technical Specification

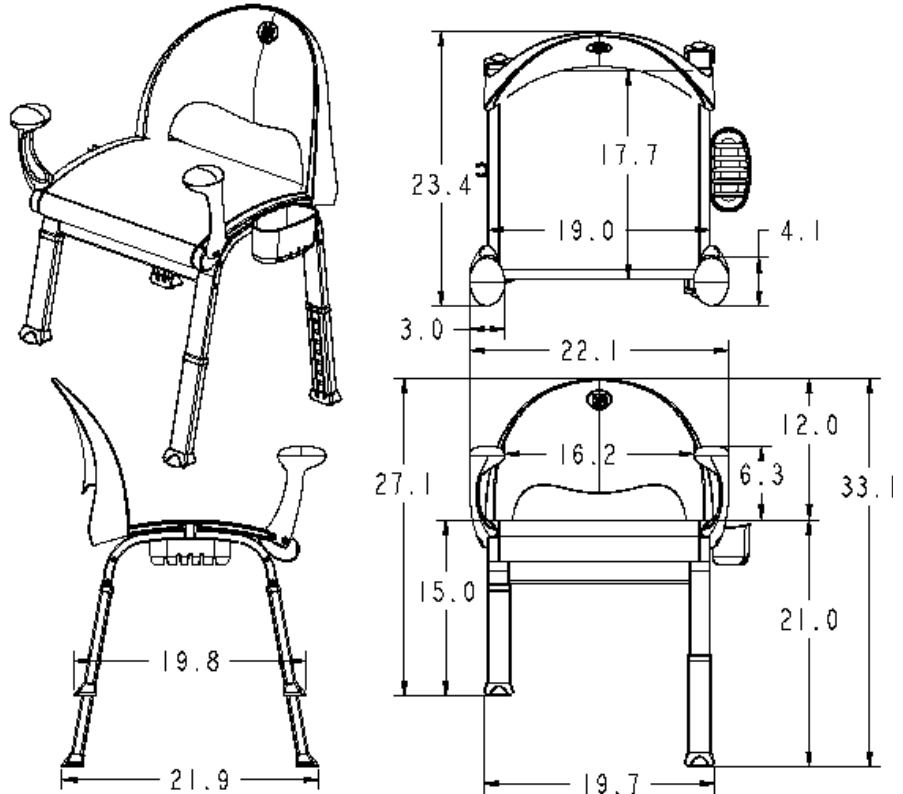
Premium Shower Chair

DN7100

Stock Numbers:

q DN7100 – Premium Shower Chair

Dimensions:



Materials:

Mesh material is Glass filled Polyester with PVC coating.

Legs and Frame are 6063 Aluminum.

Seat back is Polypropylene.

Arms are Glass filled Polypropylene.

Feet are Thermoplastic rubber (TPR).

Stock Number: _____ Premium Shower Chair By Creative Specialties



25300 AL MOEN DRIVE • NORTH OLMS TED, OH 44070
CORPORATE HEADQUARTERS: (800) 321-8809 • FAX: (800) 848-6636
INTERNATIONAL: (440) 962-2000 • FAX: (440) 962-2726
CUSTOMER SERVICE (USA): 800-882-0116 • FAX: (888) 379-2720
WWW.CSI.MOEN.COM

©Copyright Creative Specialties International

Literature #BA1445