

# Home Care Technical Specification

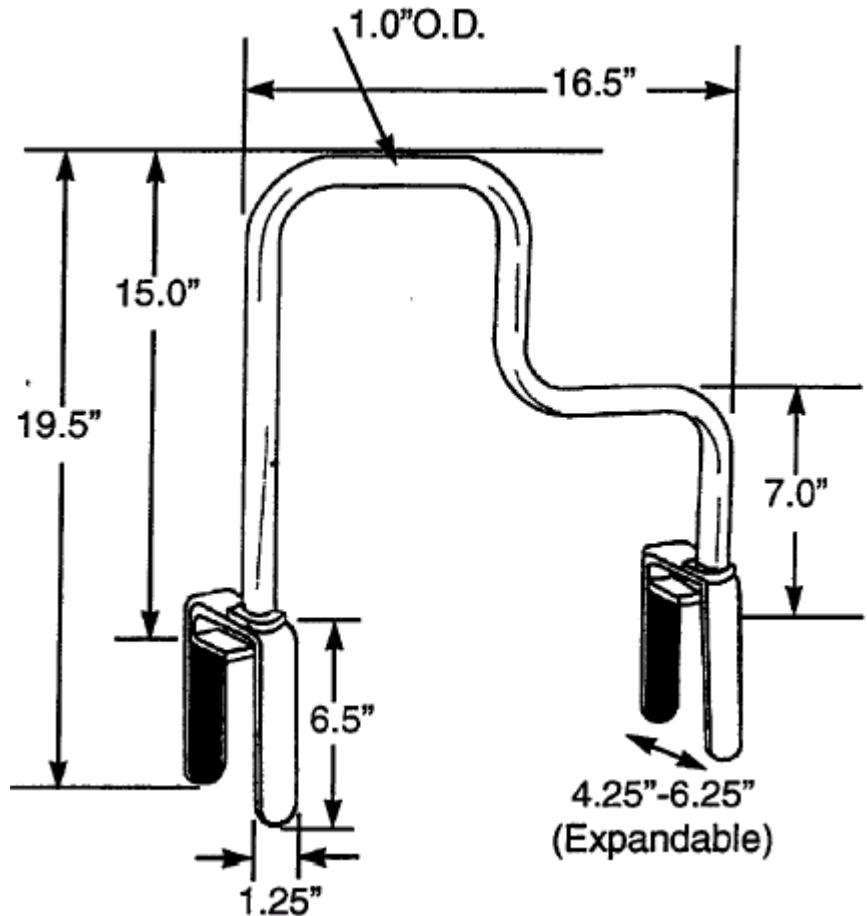
## Multi-Grip Tub Safety Bar

# DN7005

### Stock Numbers:

- q DN7005 – Multi-Grip Tub Safety Bar  
White  
Photo Box Packaging with Handle

### Dimensions:



### Materials:

ASSEMBLY TESTED  
TO CONFIRM ADA  
COMPLIANCE



Multi-Grip Tub Safety Bar is made from anodized aluminum with a powder coated white finish.

### WARNING

This product has a maximum user weight of 250lbs. Contact CSI Customer Service immediately at 1-800-882-0116 if any components are damaged or missing. Making substitutions or modifying this product in any way will void your warranty. CSI assumes no liability for any damage or injury caused by improper assembly, installation or use of this product.

### Installation Instructions:

1. Loosen A and B bolts to allow bar and clamps to be adjusted to your tub.
2. Position the clamps to fit snugly against the sides and top rim of the tub and then adjust B bolt. Do not tighten yet.
3. Use the wrench provided to tighten A bolts so that the clamps are angled correctly for your tub.
4. Tighten B bolts firmly so that the clamp pads make secure, continuous contact with both sides of the tub walls. Retighten A and B bolts as necessary.

Stock Number: \_\_\_\_\_ Multi-Grip Tub Safety Bar  
By CSI Bath Furnishings

