

WARNING: Please read before using this product.

1. Serious injury or death can result if bed rails are not properly installed. Entrapment has resulted in injuries and death. Entrapment occurs when an individual becomes wedged between a bed rail and any other object. It is possible for an individual's head, body, arms, or legs to be trapped between the bars of a bed rail, between the bed rail and the head or footboard of a bed, or between the bed rail and a mattress. While there are no specific guidelines for bed rails, Standers Inc. is committed to providing safe products and informing the user of ways to prevent accidents.

SAFETY PRECAUTIONS:

- ✓ Regularly check the bed rail to identify areas of possible entrapment.
 - ✓ Position the bed rails away from head or footboards of a bed.
 - ✓ Make sure that there is no gap between the bed rail and the side of the mattress. A gap could allow the user to become wedged between the bed rail and the mattress.
 - ✓ Adjust the height of the bed rail handle to avoid small gaps between the bed rail handle and the top of the mattress.
 - ✓ Additional safety measures should be taken for users that are a high risk. Such users include those who are not mentally conscious (including those individuals under medication), users who have size or weight conditions that may change the gap between the bed rail and the mattress, and users who are generally restless while awake or asleep.
 - ✓ If you have any concerns or questions regarding these precautions, please contact Standers at 1-800-506-9901.
2. If you are suffering from an ailment or injury or are taking medications that affect your balance or ability to stand or sit down, you should first consult with a physician before using this product. If the product is not used properly, serious injury or harm could result.
 3. The product was not intended to carry the full weight of an individual. This product is only intended to provide balance and support while sitting and standing.
 4. The product instructions must be carefully followed to ensure that the product is properly assembled and positioned. Failure to follow the instructions could result in serious injury to the user(s) of the product.
 5. Children should not be allowed to hang on or play with the product.
 6. For the Bed Rail Pivot Plus, BedCane, Bed Rail Advantage, and the CouchCane, it is important that the weight of the couch, chair, or mattress is adequate to support the product. The Bed Rail Pivot Plus, BedCane, and Bed Rail Advantage is not well suited for and should not be used with light-weight foam or other light-weight mattresses. Similarly, the CouchCane should not be used with light-weight chairs such as kitchen or dining room chairs, office chairs, and generally any chair with a base or width (from front to back) of less than 22 inches.
 7. **DISCLAIMER:** Neither Standers, Inc. nor the manufacturer is liable for any harm or injury that may result or has resulted from the improper use or assembly of the product.

Limited Warranty

Congratulations on your purchase of your Standers brand product. We hope that it will ease your daily living. Please read the following warranty statement for your protection.

Standers, Inc. warrants to the original purchaser that this product will be free from defects in material and/or workmanship for 1 year from the date of purchase. During the warranty period, Standers, Inc. will correct any defects in material or workmanship, at no charge. Shipping cost, however, must be prepaid by the original purchaser. Any replacement parts will be new and are warranted for the remainder of the original warranty or thirty (30) days from the date of shipment, whichever is longer. The original purchaser must notify Standers, Inc. during the warranty period in writing of the defect in workmanship or material. This warranty is not transferable and covers only normal use. **NO SHIPPING CHARGES ARE REFUNDABLE.**

The warranty does NOT cover the following:

- Damage during shipment other than original shipment to retailer.
- Damage caused by unauthorized attachments, alterations, or modifications.
- Damage caused by the use of the product for purposes other than those for which the product was designed or intended.
- Damage caused by any other abuse, misuse, mishandling or misapplication.

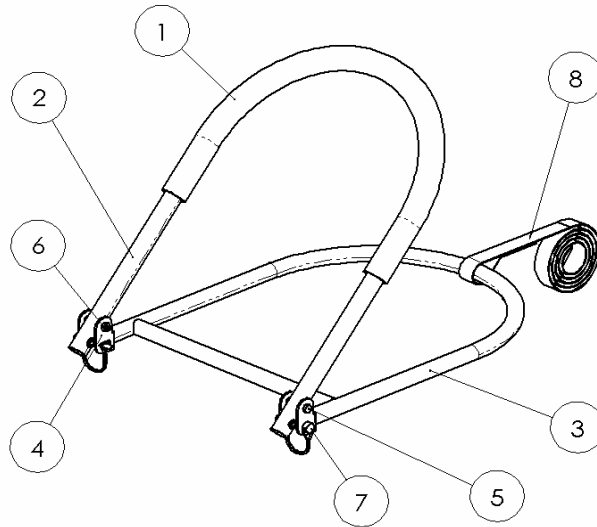
Under no circumstances shall Standers, Inc. be liable for any special, incidental, or consequential damages based upon breach of this limited warranty, breach of contract, or strict liability.

THERE ARE NO WARRANTIES WHICH EXTEND BEYOND THE DESCRIPTION ON THE FACE HEREOF. ALL OTHER WARRANTIES, EXPRESS OR IMPLIED (INCLUDING ALL IMPLIED WARRANTIES OF MERCHANTABILITY OR FITNESS FOR A PARTICULAR PURPOSE), ARE HEREBY DISCLAIMED.

Some states do not allow limitations on how long an implied warranty lasts, so the above limitation may not apply to you. This warranty gives you specific legal right, and you may also have other rights which vary from state to state.

To obtain service under this warranty, you can reach Standers Inc. at 74 Canterbury Circle, Logan, Utah 84321.

Product Instructions:



1. Pull product out of box and remove **Safety Lock Pins (7)**.
2. Rotate **Handle Tube (2)** into upright position that is 90 degrees from **Base Tube (3)**.
3. Align holes at the base of **Handle Tube (2)** with the holes in **Bracket (4)**.
4. Insert **Safety Lock Pins (7)** into the aligned holes to secure **Handle Tube (2)** in the bed rail user position.
5. **SAFETY PRECAUTIONS:**
 - ✓ Make sure the handle height avoids small gaps between the Bed Rail Advantage handle and the top of the mattress to avoid entrapment of users head, body, arms, or legs.
 - ✓ Position the Bed Rail Advantage handle at least 2 feet from headboard or footboards of a bed to avoid entrapment.
 - ✓ Make sure the Safety Strap secures Bed Rail Advantage handle against the side of the mattress to prevent gaps between the Bed Rail Advantage handle and the side of the mattress.
 - ✓ Read Safety Precautions on the other side of this instruction sheet.
6. Place the **Safety Strap (8)** around the **Base Tube (3)** and loop the **Safety Strap (8)** around the bed frame as shown below. Adjust the **Safety Strap (8)** so the Bed Rail Advantage is tightly against the side of the mattress to prevent entrapment and to prevent movement of the Bed Rail.
7. **IMPORTANT:** The **Base Tube (3)** **MUST** be placed between the mattress and the box spring of the bed! Mattress should cover the entire structure of the **Base Tube (3)**. Do not use the Bed Rail Advantage with lightweight mattresses such as foam. Lightweight mattresses could increase the possibility of entrapment (see Safety Precautions on the other side of this instruction sheet).

