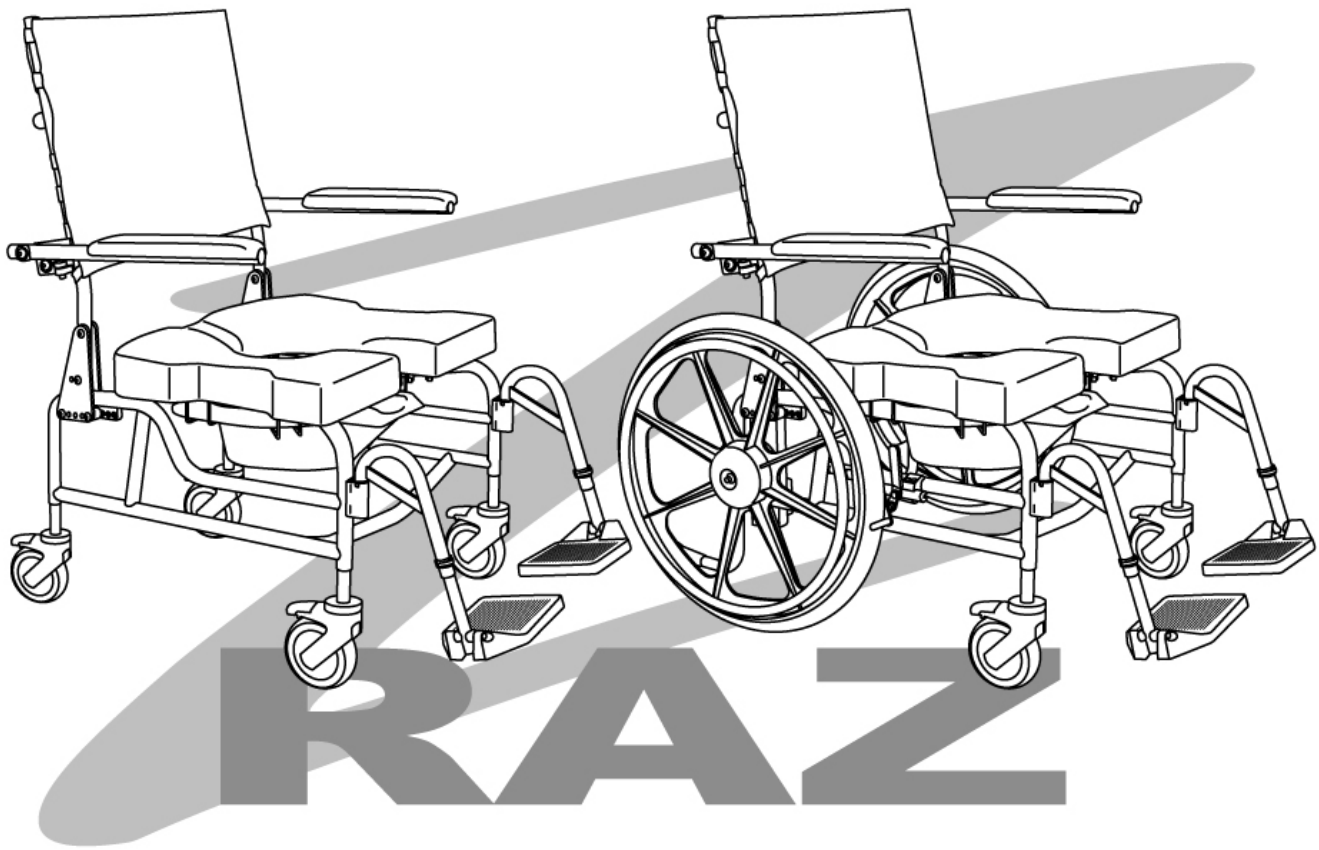


Raz Rehab Shower Commode Chairs AP600 / SP600 Heavy Duty Models

User's Manual



**A guide to help users and caregivers in the safe usage and
maintenance of Raz Rehab Shower Chairs**

SAFETY PRECAUTIONS

Failure to comply may cause injury or damage!

It is important that the user(s), and/or the caregivers of the user(s) read and thoroughly understand the User's Manual. If there are any parts of the User's Manual that are not understood, clarification should be sought prior to using the product. Up-to-date manuals are available online at www.razdesigninc.com. For clarification of any section of this manual, call the dealer that provided your Raz Rehab Shower Chair. If the dealer is unable to address certain concerns or questions, contact the Canadian distributor or manufacturer.

IN CANADA
 Dynamic Health Care Solutions
 Bolton, Ontario Canada
 905.951.8541 / 866.875.2877
info@dynamichcs.com

IN THE U.S.A
 Raz Design Inc.
 Toronto, Ontario Canada
 1.877.720.5678
info@razdesigninc.com

CHAIR CLASSIFICATION BASED ON MAXIMUM USER WEIGHT	
AP600 / SP600	600 lbs (272 kg)

SAFETY WARNINGS TO CONSIDER FOR USE PURPOSES

Forward Stability

The casters on all models are equipped with dual locks. The step-on lever activates both the roll lock and the swivel lock. ***It is essential that all casters on the shower chair be in the outward position before engaging the locks for optimal forward and lateral stability.*** If so equipped, disengage the optional directional caster lock first before rotating the rear caster to the rearward position and applying the dual caster lock.

USERS MUST NOT lean forward while sitting in the Raz Shower Chair as this may cause the chair to tip forward.

USERS MUST NOT wheel down a ramp (SP600 model) without an attendant who can hold onto the chair during the descent.

WHEEL LOCKS ARE NOT BRAKES! Never use wheel locks to slow down the shower chair when descending inclines as this could cause the chair to tip in the direction of travel.



Lateral Stability

USERS MUST NOT lean over the edge of a Raz Shower Chair.

USERS MUST NOT attempt to pick up objects from the floor by leaning over and reaching – a reacher or assistance from others should be employed.

USERS MUST NOT position the shower chair on a side slope as this could cause the chair to tip.

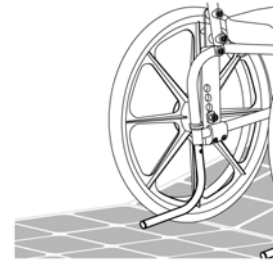


Rearward Stability

USERS MUST NOT wheel up an incline on a Raz SP600 without ensuring that the optional rear anti-tippers are in place. The optional anti-tippers must be ordered with the Raz SP600 and properly installed before wheeling on uneven surfaces.

Anti-Tippers (SP600 models only)

Anti-tippers are an option for the Raz SP600 Shower Chairs. These are recommended whenever the chairs are to be used on uneven surfaces such as ramps or sloped floors. If the stability of the Raz SP600 is ever in question, anti-tippers should be installed by the dealer that supplied the chair.



IMPORTANT !

THE REARWARD STABILITY OF THE RAZ SP600 IS AFFECTED BY THE MOUNTING LOCATION OF THE REAR WHEELS, THE PHYSICAL AND CLINICAL CHARACTERISTICS OF THE USER AND THE ANGLE OF THE BACKREST. THE NEED FOR ANTI-TIPPERS SHOULD HAVE BEEN DETERMINED AT THE TIME OF THE PRESCRIPTION OF THE RAZ SP600 WITH CONSIDERATION FOR THE USER'S ENVIRONMENT.

Ramps and Other Inclines

Ramps and other surfaces that are not level (such as slopes into wheel-in showers) must be tested with an attendant to ensure that they do not compromise the chair's stability. A qualified healthcare professional should be consulted to assist with this process.

DO NOT push or pull the Raz AP600 up or down an incline or ramp that exceeds a 1:12 grade (5° slope). If unsure of the ramp grade, contact your authorized Raz dealer for assistance.

DO NOT allow any user to be propelled (pushed or pulled) in a Raz AP600 Shower Chair in any other manner than by an attendant.



Immersion

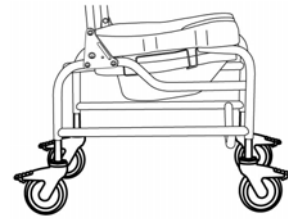
The Raz Shower Chair is not designed to be used as a pool chair. Do not immerse the shower chair in whole or in part, in water or any other liquid, otherwise damage to the shower chair components may result.

Transfers

The most dangerous part of using any shower chair is the transfer. Since every chair has different stability characteristics, it is essential to carefully review and test the transfer technique to ensure that the procedure is safe. Consult a healthcare professional if safe, reliable transfer techniques have not been learned. Individuals who have not learned this skill must seek assistance during transfers and may require the use of a mechanical lift.



Transferring onto a Raz AP600 Shower Chair – **ALWAYS** lock all four casters in their outward position (front casters positioned in the forward position / rear casters positioned to the rear) for maximum chair stability.



Transferring onto a Raz SP600 Shower Chair – **ALWAYS** lock both front casters in their outward position (positioned forward) and fully apply both rear wheel locks so that they securely engage the rear wheels.

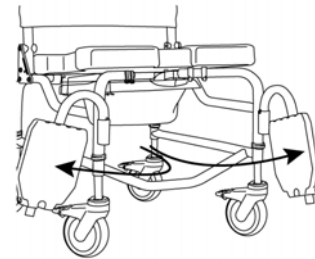
The wheel locks are designed to prevent the self-propelling wheels from rotating. The dual locks on the casters are designed to prevent the casters from rotating and the caster forks from swivelling. Caster locks **DO NOT and CANNOT** prevent the casters from sliding and the shower chair from moving if the floor is slippery. A slippery floor can be caused by dust, water, soap or any substance that does not allow the casters to grip the floor securely. **Transfers should never be attempted with the shower chair positioned on slippery surfaces.** It is recommended that transfers be performed on clean, dry non-slippery surfaces; a fully-carpeted surface is optimal. Be aware that area rugs and shower mats can slide on floors and thereby present a hazardous surface.



NEVER use the footplates to assist in transfers. This could cause the chair to tip. The footrests should be swung to the side or removed entirely during transfers to provide unobstructed access to the shower chair.

DO NOT stand on any part of the frame of the Raz Shower Chair.

The Raz Shower Chair *is NOT* intended for use as a transportation device or a long-term seating system.



USERS SHOULD NEVER be left unattended in a Raz Shower Chair.

IMPORTANT !

IF IT IS EVER FELT THAT ANY ASPECT OF THE RAZ SHOWER CHAIR IS IN NEED OF MAINTENANCE, CONTACT YOUR DEALER. ANY PROBLEMS THAT COULD AFFECT THE SAFE USAGE OF THE CHAIR MUST BE ATTENDED TO IMMEDIATELY. THE DEALER THAT PROVIDED THE SHOWER CHAIR MUST BE CONTACTED SO THAT REPAIRS CAN BE MADE PRIOR TO USING THE CHAIR. IT MUST BE MADE CLEAR TO THE DEALER THAT THE SHOWER CHAIR IS IN NEED OF MAINTENANCE AND IS UNAVAILABLE FOR USE UNTIL REPAIRS HAVE BEEN UNDERTAKEN AND ALL PROBLEMS RESOLVED.

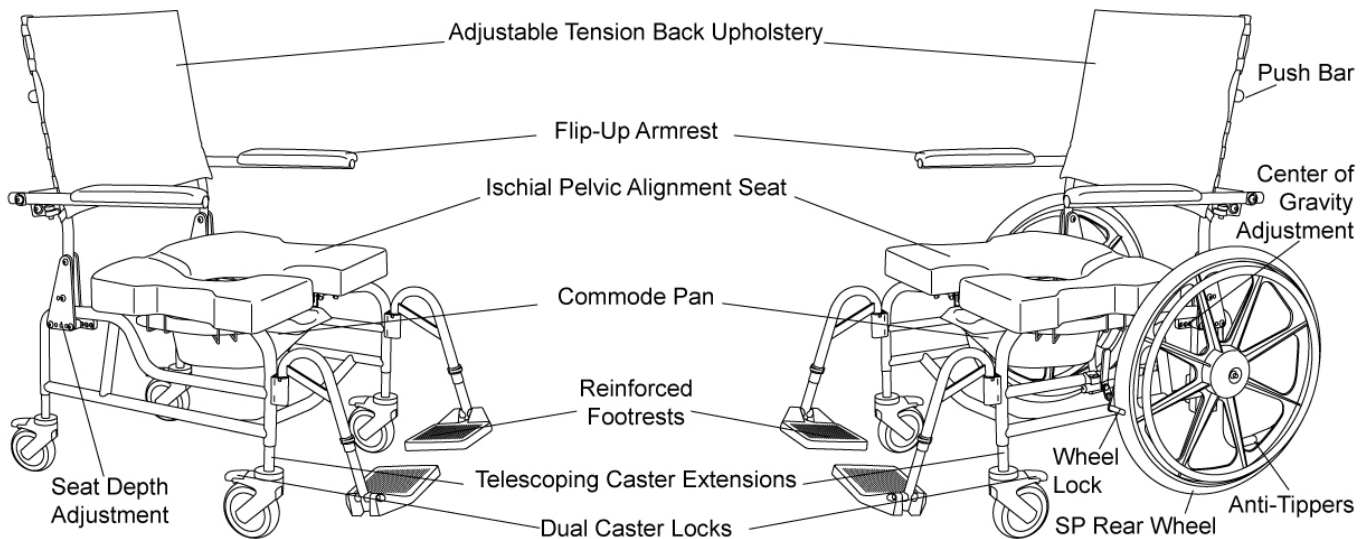
IF FOR ANY REASON, YOUR DEALER DOES NOT RESPOND ADEQUATELY, PLEASE CONTACT RAZ DESIGN :
BY EMAIL info@razdesigninc.com
BY PHONE 1.877.720.5678

USER'S MANUAL TABLE OF CONTENTS

	Page
1.0 GENERAL INFORMATION	
1.1 Raz Rehab Shower Chairs AP600 and SP600 Overview	6
1.2 Rehab Shower Chair Models AP600 and SP600 Specifications.....	6
2.0 USE AND OPERATION	
2.1 IPAS (Ischial Pelvic Alignment Seat).....	7
2.2 Multi Position Backrest	8
2.3 Armrests	8
2.4 Commode Pan	8
2.5 Casters	9
2.6 Directional Caster Locks	9
2.7 Self-Propel Wheels - SP600 Model Only	10
2.8 Anti-Tippers (Optional) - SP600 Model Only	10
2.9 Swing-Away Lateral Supports (Optional)	10
2.10 Reinforced Footrests (Optional)	11
2.11 Heel Loops (Optional)	11
2.12 Chest Positioning Strap (Optional)	11
2.13 Pelvic Positioning Strap (Optional).....	12
2.14 H-Strap (Optional)	12
2.15 Fasteners	12
3.0 CLEANING AND MAINTENANCE	
3.1 Cleaning After Each Use	13
Commode Pan	13
IPAS Seat.....	13
3.2 Cleaning As Needed	13
Adjustable Tension Backrest Upholstery.....	13
Frame, Armrests, Footrests, and Other Components	13
3.3 Suggested Cleaning Products.....	13
4.0 LIMITED WARRANTY	14
5.0 CONTACTS	15

1.0 GENERAL INFORMATION

1.1 Raz Rehab Shower Chairs AP600 and SP600 Overview



1.2 Rehab Shower Chair Models AP600 and SP600 Specifications

SPECIFICATION	RAZ-AP600	RAZ-SP600
WEIGHT CAPACITY	600 lbs.	600 lbs.
FRAME WIDTH	22"	22"
SEAT WIDTH	23"	23"
SEAT DEPTH ADJUSTMENT	18" – 20"	18" – 20"
CENTER OF GRAVITY ADJUSTMENT	None	Up to 1½" fore/aft
SEAT HEIGHT (seat to floor)		
Standard 5" Caster:	19¼", 20¼", 21¼", 22¼", 23¼"	20¼", 21¼", 23¼"
Optional 6" Caster:	20¼", 21¼", 22¼", 23¼", 24¼"	20¼", 21¼", 23¼"
CLEARANCE HEIGHT		
5" Caster (with pan bracket):	14", 15", 16", 17", 18"	15", 16", 18"
5" Caster (under frame):	15½", 16½", 17½", 18½", 19½"	16½", 17½", 19½"
6" Caster (with pan bracket):	15", 16", 17", 18", 19"	15", 16", 18"
6" Caster (under frame):	16½", 17½", 18½", 19½", 20½"	16½", 17½", 19½"
BACK HEIGHT	20"	20"
BACK ANGLE	95°, 100°	95°, 100°
ARMREST HEIGHT	8"	8"
WIDTH BETWEEN ARMREST PADS	22½"	22½"
LATERAL SUPPORT (adjustment range)	1¼" - 2½" offset 1" fore/aft ±5°	1¼" - 2½" offset 1" fore/aft ±5°
FOOTREST ADJUSTMENT (seat to footplate)	14½" - 19"	14½" - 19"
STANDARD CASTER:	Dual-locking 5" casters (x4)	Dual-locking 5" casters (x2)
OPTIONAL CASTER:	Dual-locking 6" casters (x4)	Dual-locking 6" casters (x2)
REAR WHEELS (with molded hand rims)	Optional retrofit kit to convert to SP600	24" wheels
OVERALL WIDTH	27" (with standard armpad) 29½" (with Z715 armpad)	30" (outside hand rim)
OVERALL LENGTH (with footrests)	39" - 40½"	44" - 45¼"
OVERALL LENGTH (without footrests)	29½"	32" - 34½"
PRODUCT WEIGHT	54 lbs. (5" casters) 56 lbs. (6" casters)	68 lbs. (5" casters) 69 lbs. (6" casters)
FRAME AND HARDWARE MATERIAL	Stainless Steel	Stainless Steel

2.0 USE AND OPERATION

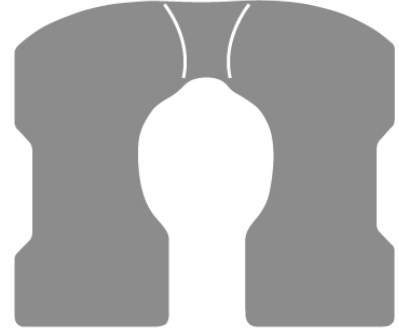
IMPORTANT !

ADJUSTMENTS SHOULD NEVER BE ATTEMPTED WITH THE USER IN THE CHAIR.

2.1 IPAS (Ischial Pelvic Alignment Seat)

The unique seat on all Raz Shower Chairs was designed to help stabilize the pelvis and was contoured for pressure reduction. The seat is made from a soft, integral-skin foam and measures 23" wide by 18" deep. The seat provides 1.5" of fore and aft adjustment and readily locks in place for use and removal with quick-release clips. The seat-to-floor height achievable on the Raz Shower Chair is between 19¼" and 24¼" and the chair fits over most standard toilet bowls when the commode pan is not in place.

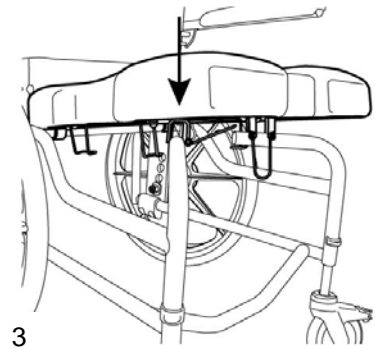
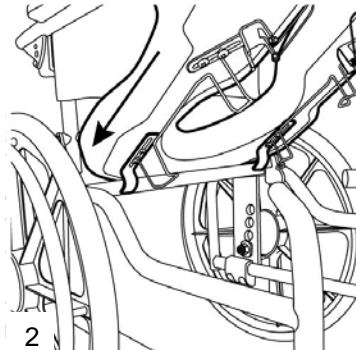
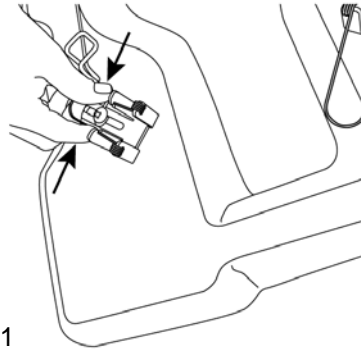
Note: 23" x 18" seat comes standard with the Raz Rehab Shower Chair AP600 and SP600 models.



23" WIDE SEAT

To install the seat:

1. Open the spring clips by squeezing each inward to unlatch the free end from the seat bracket.
2. Slide the rear of the seat over the rear cross-tube as the front of the seat is lowered onto the frame. Check to make sure that the rear seat brackets hook below the cross-tube.
3. Lower the front of the seat until the front seat brackets nestle onto the front seat support tubes.
4. To secure the seat in place, squeeze each clip inward while moving the free end towards the seat until the spring clips click into the seat bracket under the front support tubes.



To remove the seat:

1. Unlatch the spring clips from the front seat brackets.
2. Lift the front of the seat directly up.
3. Pull the seat towards the front of the chair to unhook the rear brackets.

IMPORTANT !

NEVER ATTEMPT TO CHANGE THE SEAT HEIGHT WITHOUT THE HELP OF A QUALIFIED DEALER. ADJUSTED SEAT POSITIONS WILL REDUCE THE CHAIR'S STABILITY AND MAY RESULT IN TIPPING AND INJURY.

2.2 Multi Position Backrest

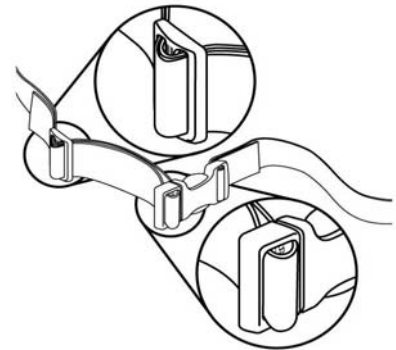
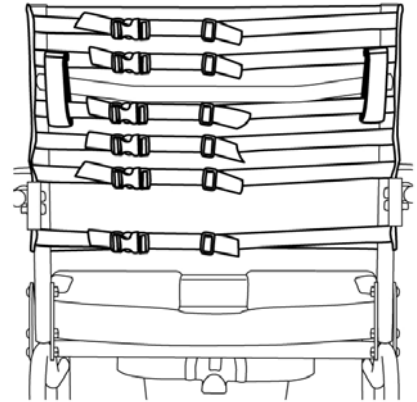
The Raz AP600 and SP600 Shower Chairs have a 20" Multi Position Back. It can be moved fore/aft within a 2" range, and the backrest angles can be set at 95°, or 100°. The armrests on this back type flip-up for transfers and are adjustable in angle, but are fixed at a height of 8". The back comes with an adjustable tension upholstery which provides trunk support for optimal positioning and comfort.

To install the Adjustable Tension Backrest Upholstery:

1. Remove the grey fabric upholstery from the accessory box.
2. Place the fabric against the front of the backrest canes making sure that when wrapped around, the clips on the straps face away from the fabric, and the loops point downwards.
3. Clip up the lowest strap below the armrest weldment.
4. The second and third lowest straps can be clipped up above the armrest weldment.
5. The fourth strap from the bottom of the backrest must be fed through the loop on the strap above it, and can then be clipped up below the push bar.
6. The last two straps can be clipped up above the push bar.
7. Adjust all of the straps to meet the user's needs.

To adjust the Adjustable Tension Back Upholstery, each strap can be tightened or loosened at the buckles to achieve a wide range of positions. For example, the second and third straps from the bottom can be tightened further to create more pronounced support in the lumbar area of the back. The looser the straps of the back upholstery, the more the fabric will sling into the chair.

To remove the Adjustable Tension Backrest Upholstery, release the buckles on the straps. *Note: The bottom strap should be fastened below the armrest block on the back frame. In order to remove this strap, it may help to raise the armrests.*



2.3 Armrests

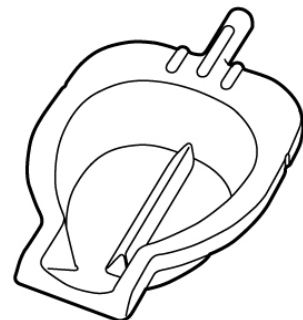
The Raz Shower Chair comes standard with flip-up padded armrests. Also available are 3¼" wide flat arm pads as an alternative to the standard 2¼" arm pads. The armrests on Multi Position Backs are fixed at one height but are adjustable in angle (up to 10°).

IMPORTANT !

ARMRESTS ON RAZ AP600 AND SP600 MODELS ARE NOT INTENDED TO SUPPORT THE ENTIRE BODY WEIGHT OF AN INDIVIDUAL. TOO MUCH WEIGHT MAY CAUSE DAMAGE TO THE ARMRESTS OR MAY CAUSE THE CHAIR TO TIP.

2.4 Commode Pan

The Raz commode pan was designed with an elongated form that fits directly under the seat to minimize backspray. A unique splash-reduction ridge is located at center of the pan. The high gloss surface facilitates cleaning and rinsing, while the pouring spout and handle facilitate emptying the contents. Removal of the commode pan is achieved by sliding the pan rearward.

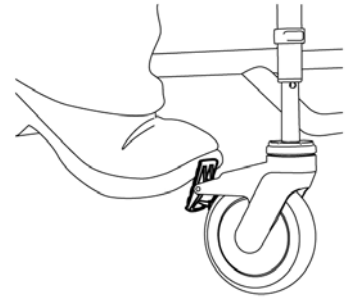


2.5 Casters

Raz AP600 Shower Chairs are built for each order with four 5" casters (standard), however four 6" heavy duty casters may be ordered as an option. Raz SP600 Shower Chairs come equipped with two 5" casters and 24" wheels (two 6" heavy duty casters may be ordered as an option on the SP600). Each caster is equipped with a dual lock feature, which stops the caster from swivelling and rolling simultaneously.

To engage the Dual Caster Lock, step on the end of the caster lock lever until it latches in the on position.

To disengage the Dual Caster Lock, step on the raised end of the caster lock lever until it latches in the off position.



IMPORTANT !

FRAME AND SEAT ADJUSTMENTS SHOULD BE PERFORMED ONLY BY TECHNICIANS FROM QUALIFIED RAZ DEALERS. NEVER ATTEMPT TO CHANGE THE FRAME ANGLE BY CHANGING THE CASTER POSITION. THE FRAME SHOULD ALWAYS BE LEVEL. IMPROPER CASTER POSITIONS MAY REDUCE THE CHAIR'S STABILITY AND RESULT IN TIPPING, THIS HAS THE POTENTIAL TO CAUSE SERIOUS HARM TO THE USER AND/OR DAMAGE TO THE CHAIR.

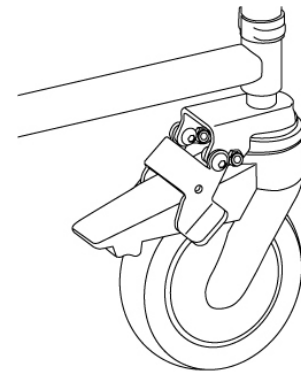
2.6 Directional Caster Locks (Optional)

The flip-down directional lock keeps one rear caster aligned in a forward direction. This feature is provided to facilitate the pushing of the chair by reducing unwanted sideways movement. Close-quarters manoeuvrability may be easier with the directional lock in the off (*upwards*) position.

To engage the Directional Caster Lock:

1. Ensure that the dual caster locks are not activated and that each caster can swivel and roll freely.
2. Pull the shower chair rearward until the rear casters swivel to their forward positions, directly under the frame tube.
3. Flip the directional lock guide latch down to its on position so that it cradles and holds the caster in the forward position.
Note: If the caster is not perfectly in-line with the frame, the spring-loaded latch, once activated, will engage if the rear caster is slowly swung around.

To disengage the Directional Caster Lock, flip the spring-loaded latch up, to its off position.

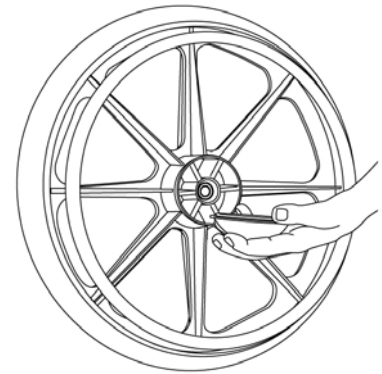


IMPORTANT !

ALWAYS RELEASE THE DIRECTIONAL LOCK AND SWIVEL ALL FOUR CASTERS TO THEIR OUTWARD POSITION FOR MAXIMUM STABILITY BEFORE PERFORMING A TRANSFER.

2.7 Self-Propel Wheels – SP600 Model Only

The wheels included with every Raz SP600 Model are 24" in size. These wheels have non-slip molded handdrims which outperform vinyl handdrims for utility and durability. All Raz SP600 Chairs come standard with fixed, self-propel wheels. An AP600 chair with a Multi-Position Back can also be ordered with a SP600 wheel kit to facilitate the conversion between attendant and self propulsion. The seat to floor height range of a Raz SP600 model is between 20¼" and 23¼" with the rear wheels installed. The self-propel wheels also have a fore and aft adjustment range of 1½".



2.8 Anti-Tippers (Optional) – SP600 Model Only

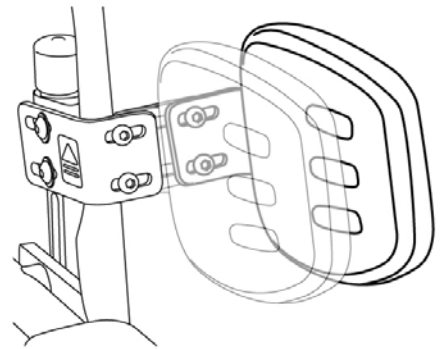
Anti-tippers are an option for all Raz SP600 Shower Chairs, these are recommended whenever the shower chairs are to be used on uneven surfaces such as shower ramps or sloped floors. A dealer can adjust the anti-tippers up or down and further outward from the chair in order to increase rearward stability.

IMPORTANT !

THE ADJUSTMENT OF ANTI-TIPPERS ON A RAZ SP600 MODEL COULD RESULT IN SERIOUS INJURY. IT IS STRONGLY RECOMMENDED THAT ONLY A QUALIFIED RAZ DEALER MAKE ADJUSTMENTS TO THE POSITIONS OF ANTI-TIPPERS. A STABILITY CHECK MUST ALSO BE PERFORMED IN ORDER TO ENSURE STABILITY FOR THE USER IN HIS/HER ENVIRONMENT.

2.9 Swing-Away Lateral Supports (Optional)

The Raz Shower Chair may be fitted with optional lateral supports. Lateral supports are designed to assist a user in maintaining an upright posture in the Raz Shower Chair. One or two lateral supports may be mounted on any Raz model. The molded foam pads have a soft foam exterior, are contoured to hug the torso, and have a solid insert to provide strength for positioning. An extension plate can be ordered as an option to attain additional extension of the lateral support pad. The lateral pads can be adjusted medially up to 2" on both sides of the chair for individuals requiring more support (up to 4" with an optional extension plate). The laterals can also be adjusted towards or away from the chair's backrest within a range of 1". The lateral support pads can also be angled to meet the user's needs. Both lateral support pads lock in front of, and behind, the backrest.

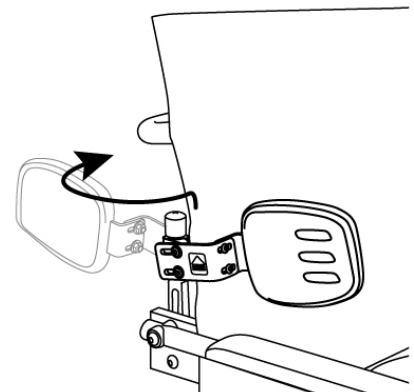


To release a Lateral Support Pad from the forward position:

1. Grasp one pad bracket at the blue arrow decal and lift up.
2. Once raised, rotate the lateral pad to a position behind the back and press down above the decal to lock the pad in place.
3. Repeat for the other lateral support if desired.
4. Ensure that the laterals are locked in place before use.

To release a Lateral Support Pad from the rearward position:

1. Grasp the pad bracket near the mounting post and lift up.
2. Once raised, rotate the lateral pad around to the front and press down above the decal to lock the pad in place.
3. Repeat for the other lateral support if desired.
4. Check to ensure that the laterals are locked in place before use.



IMPORTANT !

ALL ADJUSTMENTS TO LATERAL SUPPORT PADS (UP/DOWN, MEDIAL/LATERAL, AND ANGLE) MUST BE PERFORMED BY A QUALIFIED TECHNICIAN. ALL ADJUSTMENTS PERFORMED MUST NOT IMPEDE THE OPERATION OF OTHER COMPONENTS.

2.10 Reinforced Footrests (Optional)

Reinforced footrests are available as an option on AP600 and SP600 Raz Shower Chairs. Footrests are recommended for users who need an extra level of comfort, positioning, or pressure relief in the thighs. For transfers, the footrests can be flipped up, rotated away, or removed.

To install the Footrests:

1. Place the footrest hanger tubes into the receiving sleeves at the front of the commode frame.
2. If the support tubes are aligned forward, the pins on the tubes will engage with grooves in the sleeves and lock in place.

To rotate the Footrests out:

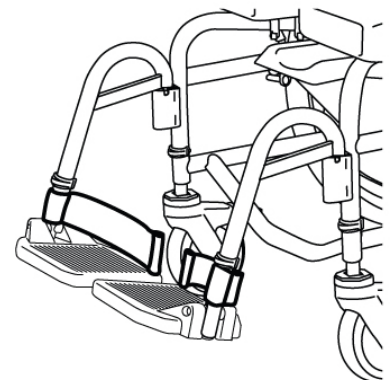
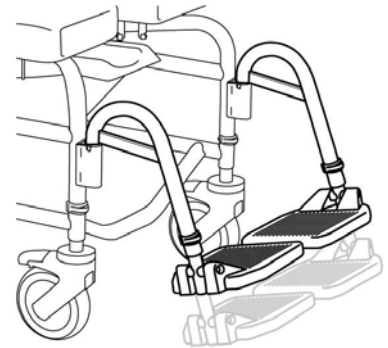
1. Lift the footrest hanger tube up slightly to disengage the positioning pins.
2. Rotate the footrests in or out depending on preference.

To remove the footrests, lift the footrests out of the receiving sleeves on the frame.

For users with longer legs a 2" extension tube can be ordered as an option for any Raz Shower Chair.

To extend the Footrests:

1. Remove the snap-pin from one footrest hanger tube.
2. Reposition the footplate to a length suitable for the user.
3. Insert the snap-pin through the footrest hanger tube and through the inner tube. *Ensure that the snap pin is completely through the tube and that the grey plastic clip is snapped securely around the outside of the hanger tube.*
4. Repeat steps 1 to 3 for the other footrest.



2.11 Heel Loops (Optional)

Heel loops can be attached to one or both footrests on any Raz Shower Chair, they provide added support and comfort for the user's legs.

2.12 Chest Positioning Strap (Optional)

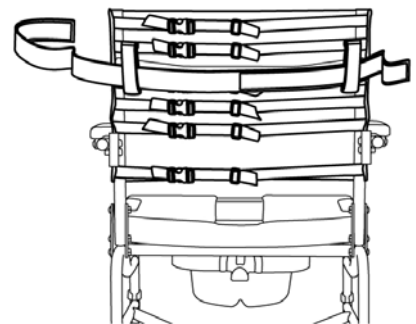
An optional one-piece chest positioning strap can be attached to any Raz model. The back upholstery includes loops that are intended as strap guides.

To install the Chest Strap:

1. Insert one side of the strap through both back upholstery loops.
2. With the user seated in the chair, thread one end of the strap through the plastic loop on the other end of the chest strap.
3. Secure the strap in front of the user with the Velcro closure.

To adjust the Chest Strap:

1. Open the Velcro on the strap.
2. Tighten or loosen the strap around the user as needed.
3. Fasten the chest strap to secure the user.



2.13 Pelvic Positioning Strap (Optional)

An optional two-piece pelvic support strap can be ordered with the shower chair and can be attached to any Raz model. The pelvic strap uses heavy-duty webbing and buckles for one-handed operation.

To install the Pelvic Strap:

1. Weave one strap end through a DD-ring and slide the ring several inches from the end.
2. Feed the strap through the slot in the triangular strap plate from the inside to the outside and then weave the loose end back through the DD-ring.
3. Repeat step 2 for the other side of the strap.
4. Adjust the DD-rings and tighten the pelvic strap as necessary.

To adjust the Pelvic Strap:

1. Loosen both straps through the “double D” ring on one side of the pelvic strap.
2. Adjust by pulling/pushing the strap end in/out of the DD-ring.
3. Repeat step 2 for the other side of the strap.
4. Pull tightly on each strap to ensure that it is secured properly.



2.14 H-Strap (Optional)

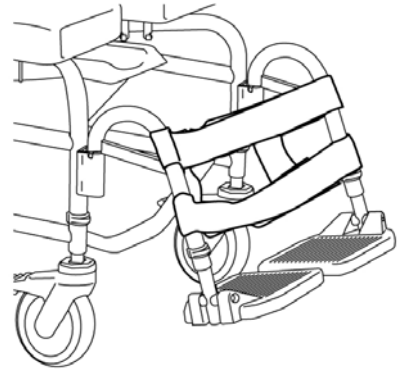
An optional one-piece H-strap can be attached to the footrests on any Raz model. The H-strap is recommended for individuals who require additional support for the legs and feet.

To install the H-Strap:

1. With the Velcro facing towards the chair, center the strap horizontally between both footrest hanger tubes and wrap the loop side around the tubes until it engages with the hook side.

To adjust the H-Strap:

1. Disconnect the Velcro from the back of the H-strap and adjust to sling or tighten the H-strap to suit the user's needs.
2. Press firmly on the Velcro to secure the H-strap prior to use.

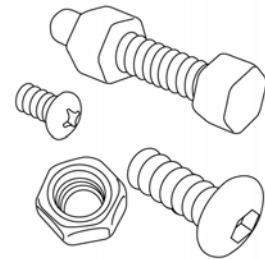


IMPORTANT !

ANY ADJUSTMENTS TO THE CHAIR'S STRAPS SHOULD BE PERFORMED WITH EXTREME CAUTION AS THE USER'S SAFETY MAY BE DEPENDENT ON SECURE POSITIONING STRAPS.

2.15 Fasteners

All fasteners (locknuts, screws, and washers) should be checked periodically to ensure that they are snug and do not pose risk to the user. All nuts used on your Raz Shower Chair are locknuts or are used in conjunction with a lock washer. Locknuts that are removed for any reason should be replaced rather than re-used. The fasteners should be checked periodically to ensure a secure fit.



IMPORTANT !

A QUALIFIED RAZ DEALER SHOULD BE CONTACTED TO CHECK ALL FASTENERS, CASTER AND WHEEL LOCKS, HARDWARE, AND OTHER MOVING PARTS AT LEAST ONCE PER YEAR.

3.0 CLEANING AND MAINTENANCE

3.1 Cleaning After Each Use

Commode Pan

1. Remove the commode pan and empty its contents.
2. Wash the pan with a multi-purpose disinfectant cleaning solution. Use a toilet brush if needed.
3. Rinse well before storage or re-use.

Note: A soapy hot water wash followed by a disinfectant spray can be substituted for a multi-purpose disinfectant cleaning solution

IPAS Seat

1. Spray with a multi-purpose disinfectant cleaner and scrub with a soft brush as required.
2. Rinse with a water spray before storage or re-use.
DO NOT IMMERGE the shower chair seat in water or cleaning solutions.
3. For a more thorough cleaning, remove the seat from the shower chair to allow better access to the underside of the seat around the opening or aperture area of the seat.
See section 2.1 for seat removal instructions.

3.2 Cleaning As Needed

Adjustable Tension Backrest Upholstery

1. Remove the plastic buckles and tri-glides from the back upholstery straps, paying attention to how the straps are wound around each component as they are removed.
2. Remove the back upholstery from the back frame and machine wash with a mild detergent in warm water on a normal cycle. Include any H, pelvic and chest straps if they require cleaning.
3. Install the back upholstery and other positioning straps on the chair and allow to dry.
DO NOT dry the back upholstery in a clothes dryer or damage to the upholstery may occur.
4. Install the upholstery on the back frame and assemble all buckles and tri-glides onto the straps.
5. Adjust the backrest upholstery straps to the desired tension.

Frame, Armrests, Footrests, and Other Components

1. Spray the frame with a multi-purpose disinfectant, scrub with a soft brush and rinse with water.
2. If necessary, spray the frame and components with a diluted (10 parts water to 1 part solution) calcium/lime removal solution, then scrub with a soft brush and rinse thoroughly with water.
DO NOT mix a calcium/lime removal solution with any other liquid or toxic fumes may occur.

It is recommended that a qualified Raz dealer check over all fasteners and subassemblies on a regular basis or if there is cause for concern to the Shower Chair's performance. It is also highly recommended that the rinsing of Raz Shower Chair components occur in a well drained area with an industrial steam cleaner (e.g. Intersteam) or a commercial pressure washer.

Several times each year the chair and its components should be wiped down with a diluted calcium/lime removal solution to reduce deposits, followed by a hot water rinse. To minimize the risk of mildew buildup the entire chair should be wiped down with a soft dry cloth after the final rinse and before storage or use.

3.3 Suggested Cleaning Products

Task	Recommended Products
General Cleaning	Antibacterial Soap
Tuberculocidal Surface Cleaner and Intermediate Level Disinfectant	Accel TB (Virox Technologies Inc.), SepteFX 7D-11 (Titan Worldwide Inc.)
Calcium and Lime Deterrent	CLR Outdoor Furniture Cleaner

IMPORTANT !

DO NOT USE ABRASIVE POWDERS OR SCOURING PADS ON THE RAZ SHOWER CHAIR.

DO NOT SUBMERGE THE RAZ SHOWER CHAIR IN WATER.

DO NOT USE CLEANING PRODUCTS WITHOUT CONSULTING THE PRODUCTS' INSTRUCTIONS AND TAKING APPROPRIATE PRECAUTIONS FOR HUMAN EXPOSURE TO CHEMICALS DURING CLEANING AND AS A RESIDUE WHEN THE SHOWER CHAIR IS IN USE.

4.0 LIMITED WARRANTY

This warranty is extended only to the original purchaser/user of Raz Rehab Shower Chairs. This warranty gives you specific legal rights but you may have additional legal rights depending on your region and country. This warranty shall be extended to comply with regional laws and requirements.

With regards to the original purchaser/user only, Raz Design warrants its base and back frame components to be free of defects in materials and workmanship for a period of two (2) years from the date of purchase. All other components on the Raz Rehab Shower Chair are covered for a period of one (1) year and are subject to normal wear and tear exclusions. If within such warranty period any such product shall be proven to be defective, the part will be repaired or replaced, at Raz Design's discretion. This warranty does not include any labour or shipping charges incurred in replacement, part installation, or repair of any such product.

For warranty service, please contact the dealer from whom you purchased your Raz Rehab Shower Chair. In the event that you do not receive satisfactory warranty service, please contact Raz Design directly using the contact information located in either the beginning or the end of this manual. In your correspondence please provide your dealer's name and address, the product type, the date of purchase, and the chair's serial number (located on a grey label towards the bottom of the frame), as well as the nature of the product defect. Do not return products to the manufacturer without prior notice.

Limitations and Exclusions:

The foregoing warranty shall not apply to serial numbered products if the serial number has been removed or defaced, and to products subjected to negligence or an accident. Improper operation, maintenance, or storage will all void the warranty coverage on the Raz Rehab Shower Chair.

The warranty does not apply to products modified without Raz Design's express written consent. This includes, but is not limited to, modification through the use of unauthorized parts or attachments, products damaged by reason of repairs made to any component without the specific consent of Raz Design, or to a product damaged by circumstances beyond Raz Design's control. An evaluation of such circumstances will be solely determined by Raz Design. The warranty will not apply to problems arising from normal wear or failure to adhere to the instructions contained in this manual.

The foregoing express warranty is exclusive and in lieu of any other warranties whatsoever, whether express or implied, including the implied warranties of merchantability and fitness for a particular purpose. The sole remedy for violations of any warranty whatsoever will be limited to repair or replacement of the defective product in compliance to the terms contained in this document. The application of any implied warranty shall not extend beyond the duration of the express warranty provided herein. Raz Design will not be liable for and consequential or incidental damages to part or whole of a Raz Rehab Shower Chair whatsoever.

5.0 CONTACTS

It is important that the Raz Rehab Shower Chair be properly assembled and all adjustments be made carefully. Up-to-date manuals can be downloaded from www.razdesigninc.com. For clarification of any section of this manual, contact a local Raz dealer, the Canadian distributor, or the manufacturer.

IN CANADA
Dynamic Health Care Solutions
Bolton, Ontario Canada
905.951.8541 / 866.875.2877
info@dynamicchcs.com

IN THE U.S.A
Raz Design Inc.
Toronto, Ontario Canada
1.877.720.5678
info@razdesigninc.com